

SHUT-OFF VALVES V1830 & V1855

The Hy-Pro Shut-Off valves are available in two sizes, G3/8 or G1/2.

They are a two-way design with flow from A to B open in the on position and closed in the off.

Both feature male threads with 60 degree sealing cones for connection to either rigid or flexible pipe-work.

Application

Typically used to isolate components in a hydraulic circuit.



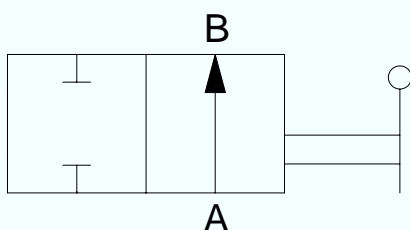
Description

The valves comprise a hardened steel spool which is match-honed to a plated steel body. Spool movement is restricted to 90 degrees with a positive machined stop at each end of its rotation.

Features

- Match honed bores and spools.
- Robust construction
- Precise stops
- Two size options.
- Plated body.

CIRCUIT DIAGRAM



ORDER CODES

V1830 G3/8 SHUT OFF VALVE

V1855 G1/2 SHUT OFF VALVE

Technical Data

Performance

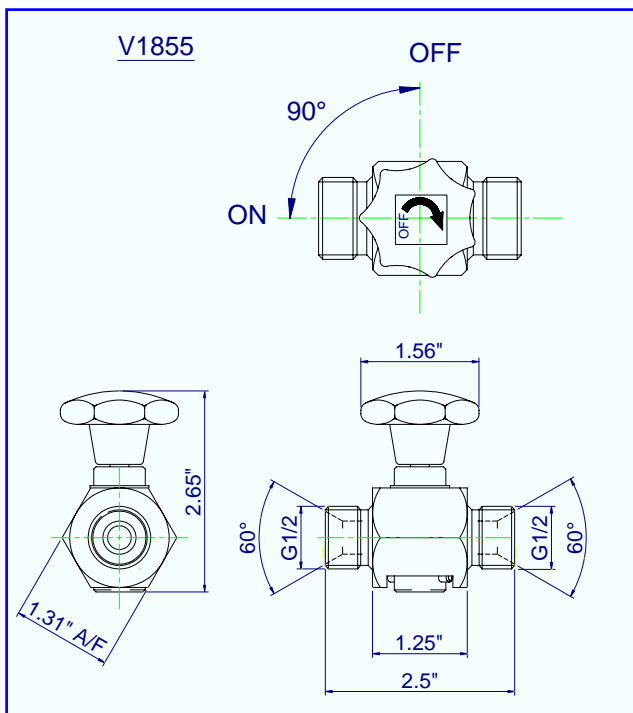
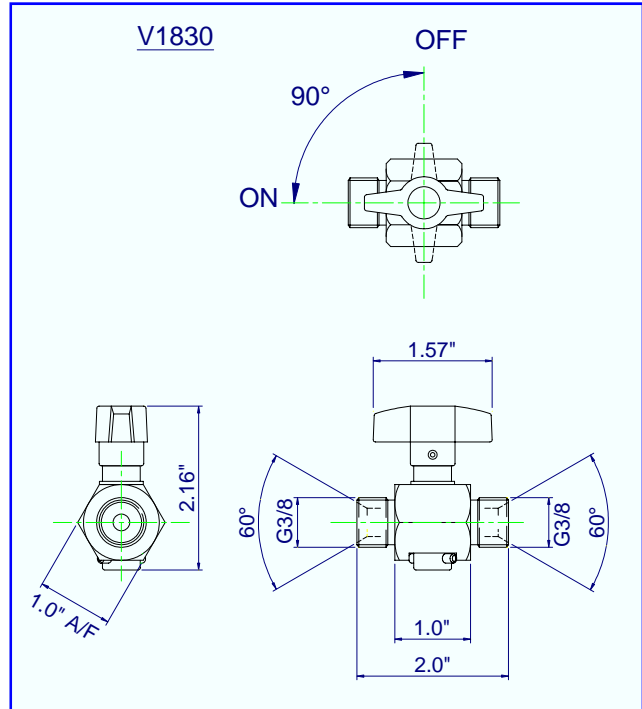
Ports	G3/8
Rated flow	27 l/min
Internal leakage @210 bar	<2cc/min
Maximum pressure	210 bar
Temperature rating	-20°C/+65°C
Weight	0.18kg

Recommended Oil

Mineral based hydraulic	ISO VG37
Filtration (minimum)	25 micron

Materials

Body	Steel
External plating	1706 Zn3 NQ3
Spool	BC Std 019
Seals	Nitrile
Knob	Thermoplastic



Performance

Ports	G1/2
Rated flow	45 l/min
Internal leakage @210 bar	<6cc/m
Maximum pressure	210 bar
Temperature rating	-20°C/+65°C
Weight	0.3kg

Recommended Oil

Mineral based hydraulic	ISO VG37
Filtration (minimum)	25 micron

Materials

Body	Steel
External plating	1706 Zn3 NQ3
Spool	BC Std 019
Seals	Nitrile
Knob	Thermoplastic

V1855

Hydraulic Projects Ltd, Dawlish Business Park, Dawlish, Devon. EX7 0NH UK

Telephone: +44 (0) 1626 863634. Fax +44 (0) 1626 866283

E-mail: enquiries@hypro.co.uk . Web site: www.hypro.co.uk