

G1/2 SIX PORT DIVERTOR VALVE 60 LPM

The Hy-Pro six port divertor valve or double divertor valve is a cast iron two position valve that allows two separate circuits to be controlled from one hydraulic source. Rated at 60 litres per minute and 250 bar it is available with either spring offset or detented spool locations. It uses the same enclosed lever as the sectional valve ranges and the spool return mechanism is fully enclosed. A micro-switch can be fitted as a further option. The valves are also available fully marinised.



Description

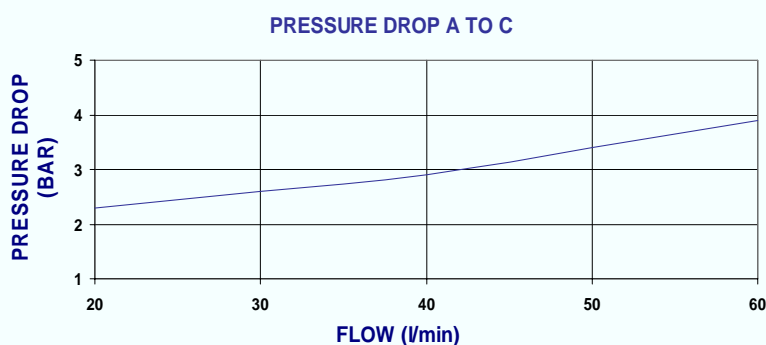
A low profile two position spool valve, either lever or cable operated. Spools can be either spring offset or detented with standard, reversed and 90 degree levers. The valve body is made from cast iron with the spool hardened and ground alloy steel. The Hy-Pro V2050 check valve can also be mounted onto

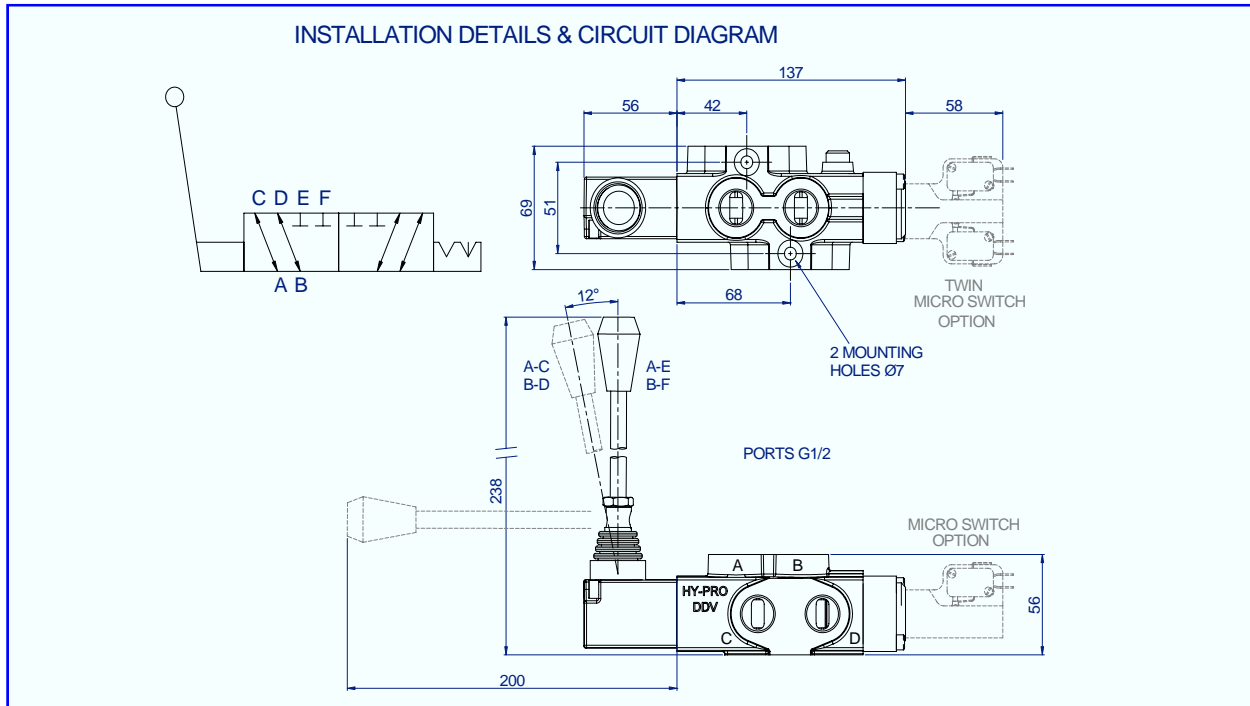
Application

Designed to be used in applications where the flow and return from a control valve is used to operate two separate circuits. This allows two double acting cylinders or reversible hydraulic motors to be controlled separately from a single four way valve.

Features

- Detent or spring offset.
- Cable operation available.
- Marinized option
- Fully enclosed
- Hy-Pro check valve can be used.
- Micro-switch option
- Spool leakage <10cc/min/210b





Technical Data

Performance

Rated flow	60 l/min
Maximum pressure	250 bar
Temperature rating: min	-20°C
Temperature rating: max	+65°C
Ports	G1/2
Spool Leakage 25°C	<10cc/min at 210bar

Recommended Oil

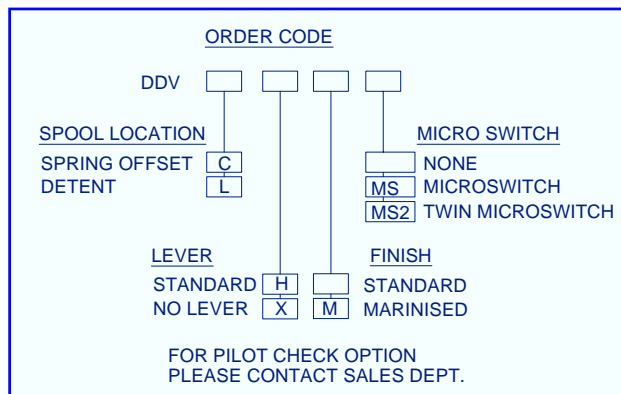
Mineral based hydraulic	ISO VG37
Filtration (minimum)	25 micron

Materials

Body	Cast Iron BS1492-250
External plating	Zinc Chromate BS 1706Zn3
Seals	Viton
Spool	EN1A alloy hardened BC Standard 019
Spool Marinised	Electroless Nickel DEF 03-5/1

Weights

DDV LH	2.1 kg
--------	--------



Hydraulic Projects Ltd, Exeter Road, Dawlish, Devon EX7 ONH UK
 Telephone: +44 (0) 1626 863634. Fax +44 (0) 1626 866283
 E-mail: enquiries@hypro.co.uk . Web site: www.hypro.co.uk