

G1/2 DIVERTER VALVES 60 LPM

The Hy-Pro range of G1/2 diverter valves are available in three or four ported versions. The three ported valves can be used to control a single acting cylinder or as a two way diverter to switch pump flow. The four ported valves can be used to control the movements of cylinders and motors or as a three way diverter. These selector valves offer a cost effective way of adding additional services to a circuit without the need for extra directional control valves. They are designed for the rugged environments of mobile and agricultural applications.



Description

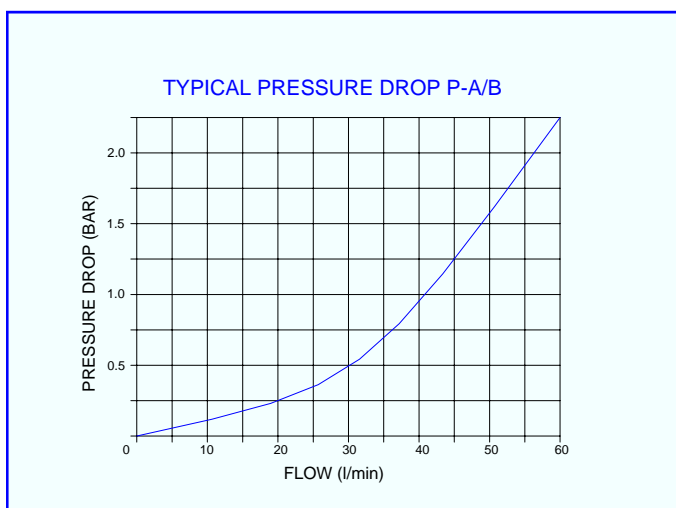
The cast iron three ported valves, with their chromed steel spools, can either control the movement of a single acting cylinder or switch pump flow as a two way diverter. The cast iron four ported valves, with their chromed steel spools, can be used to control motors and cylinders or used as a three way diverter valve.

Application

Designed to be used in many applications requiring a rugged, reliable diverter valve. Accepted in the industrial, agricultural and mobile markets where there are open and closed centre options to suit the applications.

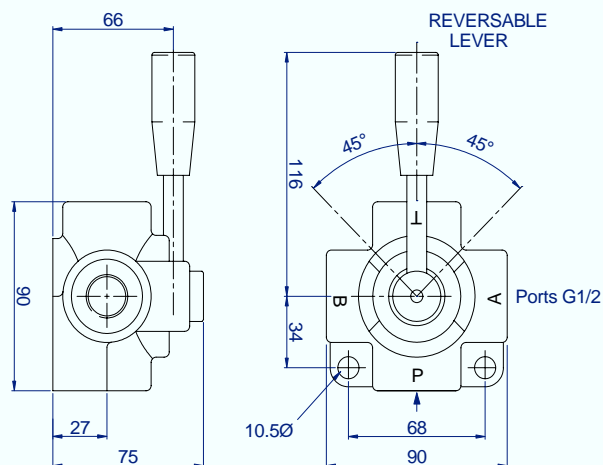
Features

- Chromed spools.
- Open and closed valve assemblies.
- Three and four port options.
- Robust design.



ORDER CODES

DV60		
	30	3 Port Diverter
	31	3 Port Diverter Underlapped
	43	4 Port Selector
	42	4 Port Open Centre
	40	4 Port Closed Centre
	44	4 Port Diverter



Technical Data

Performance

Ports	G1/2
Rated flow	90 l/min
Δ P at rated flow	2 bar
Maximum pressure	250 bar
Temperature rating: min	-20°C
Temperature rating: max	+65°C

Recommended Oil

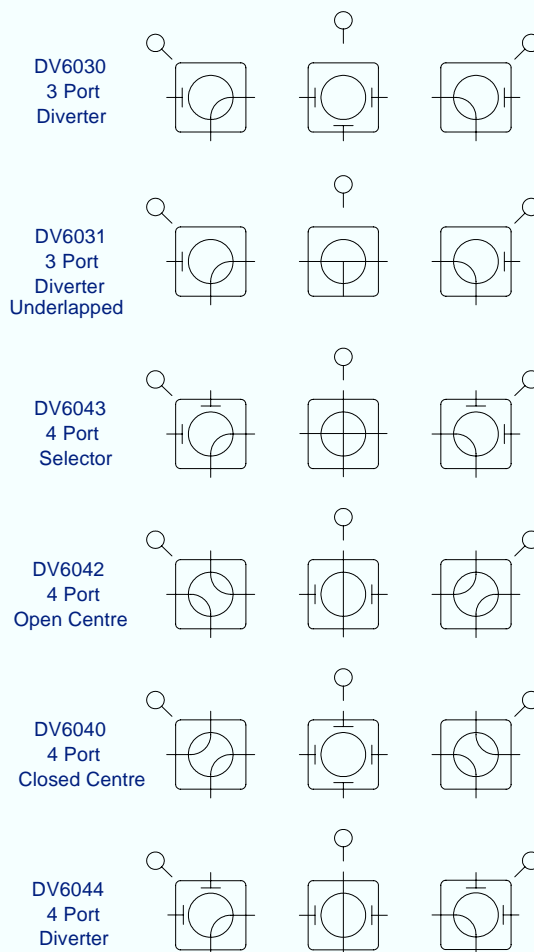
Mineral based hydraulic	ISO VG37
Filtration (minimum)	25 micron

Materials

Body	Cast Iron EN-GJL300
Seals	Nitrile
Spool	Carburized steel hard-chrome plated

Weights

Three port	2 kg
Four port	2 kg



Hydraulic Projects Ltd, Exeter Road, Dawlish, Devon EX7 ONH UK
 Telephone: +44 (0) 1626 863634. Fax +44 (0) 1626 866283
 E-mail: enquiries@hypro.co.uk . Web site: www.hypro.co.uk