

## V1920 DIVERTER VALVES 45 LPM

Data Sheet V1920d

The Hy-Pro V1920 diverter valves are used to control the movements of cylinders and motors or as a three way diverter.

### Application

Designed to be used in many applications requiring a rugged, reliable, compact diverter valve. Accepted in the industrial, agricultural and mobile markets where there are open and closed centre options to suit the application.

### Features

- Quality UK manufacture.
- Match honed bores and spools for low leakage.
- Positive detent location.
- Open and closed centre versions.
- Painted finish for corrosion resistance.

### Technical Data

#### Performance

Ports	G1/2
Rated flow	45 l/min
ΔP at rated flow	3.5 bar
Maximum pressure	210 bar
Temperature rating:	-20°C TO +65°C
Internal Leakage:	2cc at 70 bar

#### Recommended Oil

Mineral based hydraulic	ISO VG37
Filtration (minimum)	25 micron

#### Materials

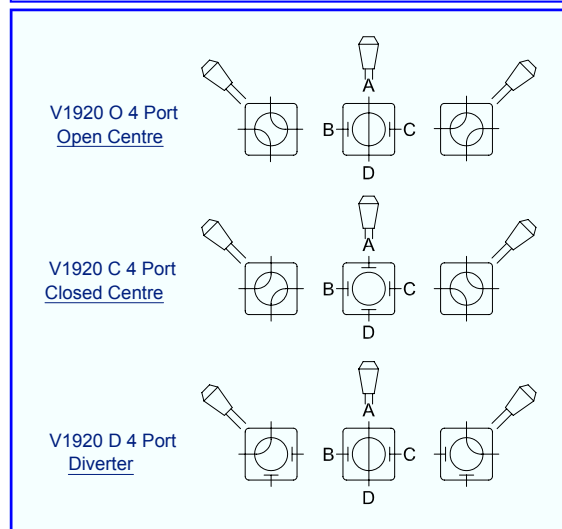
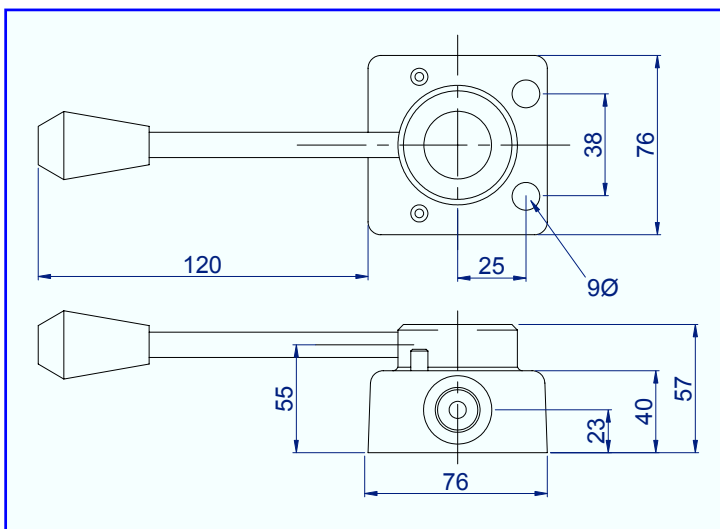
Body – cast iron	BS1452-250
External plating	BS1706 Zn3
EN1A alloy spool hardened	BC Standard 019
Seals	Nitrile

#### Weights

1.6 kg

#### ORDER CODES

V1920 D	4 Port Diverter
V1920 O	4 Port Diverter Open Centre
V1920 C	4 Port Closed Centre



Hydraulic Projects Limited, Dawlish Business Park, Dawlish, Devon, UK, EX7 0NH

Tel: +44 (0)1626 863634 | Fax: +44 (0)1626 866283 | Email: sales@hypro.co.uk | Web: www.hypro.co.uk

V1920d/Issue 1