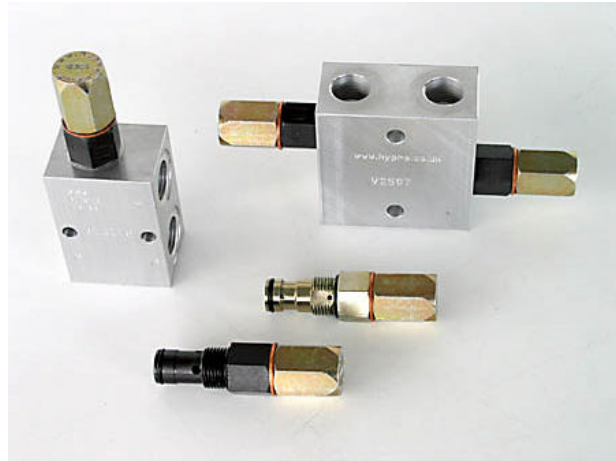


G1/2 RELIEF VALVE 60 LPM

The 60 l/min relief valve is available as direct acting or a pilot operated relief valve cartridge. They can be used in the Hy-Pro range V5-60 of sectional valves or as an inline valve within a manifold. Two relief valves together in a purpose built manifold give dual line relief commonly used to prevent shock loads in hydraulic motors and equal ended cylinders.

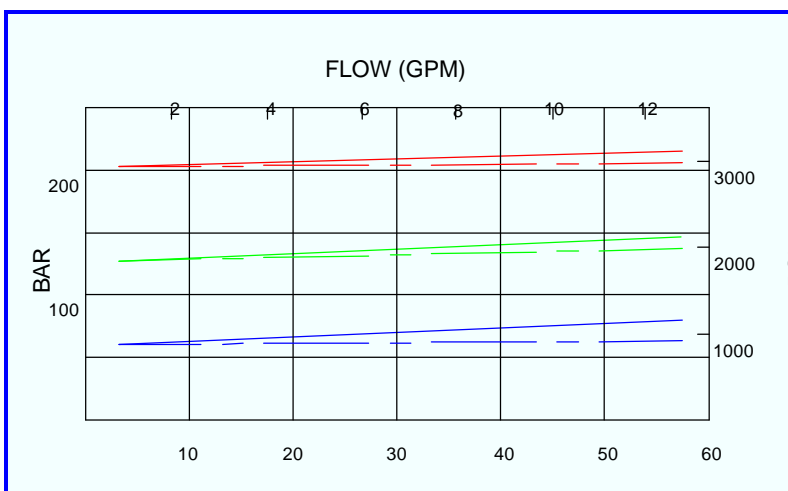


Description

Adjustable cartridges, available in direct acting and pilot operated versions. With a stable performance and good flow/pressure hysteresis, the hardened steel components and viton seal give a long life with a high degree of dirt tolerance. They can be supplied as a cartridge in a manifold for inline relief and two together in a manifold for dual line relief.

Application

Designed to relieve pressures up to 210 bar and 60 litres per minute in all industrial, mobile, marine and agricultural applications. The dual line relief valves are commonly used to prevent shock loads in hydraulic motors and balanced cylinders. The direct acting cartridge is commonly used in applications where a fast response and high degree of dirt tolerance is required. The pilot operated cartridge is used where an accurate repeatable setting is necessary over a large flow range.

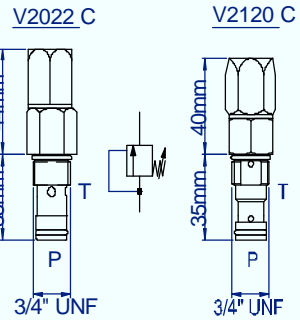


Features

- Direct acting or pilot-operated.
- Adjustable.
- Cartridge type.
- Three port manifold.
- Dual line relief manifold.
- Dirt tolerant.

ORDER CODES

V2022	<input type="checkbox"/>	Direct Acting Relief Valve Adjustable
	<input type="checkbox"/>	
	<input type="checkbox"/>	
	<input type="checkbox"/>	
	<input type="checkbox"/>	
	<input type="checkbox"/>	
	<input type="checkbox"/>	
	<input type="checkbox"/>	
	<input type="checkbox"/>	
V2120	<input type="checkbox"/>	Pilot Operated Relief Valve Adjustable
	<input type="checkbox"/>	
	<input type="checkbox"/>	
	<input type="checkbox"/>	
	<input type="checkbox"/>	
	<input type="checkbox"/>	
	<input type="checkbox"/>	
	<input type="checkbox"/>	



Technical Data

Performance

Rated flow	60 l/min
Max pressure	210 bar
Temperature rating: minimum	-20°C
Temperature rating: maximum	+65°C
Manifold ports	G1/2

Recommended Oil

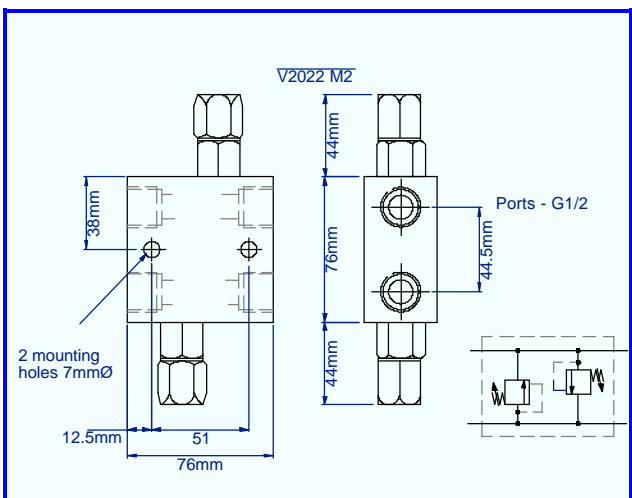
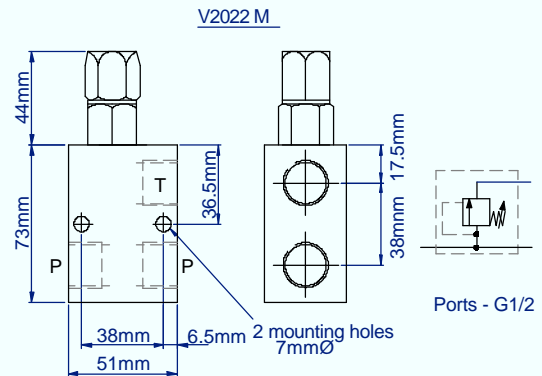
Mineral based hydraulic	ISO VG37
Filtration (minimum)	25 micron

Materials

Body – Nitrotec	NQ3
Piston – Hardened	BC Standard 0,19
Cap – Zinc chromate	BS 1706 Zn3
Manifold – Aluminium	BS 1490
Tightening torque	1.4 kgm (10 lb/ft)
Seals - reciprocating	Viton
Seals – static	Nitrile

Weights

V2022 C	0.13 kg
V2022 M	0.44 kg
V2022 M2	0.73 kg



Hydraulic Projects Ltd, Exeter Road, Dawlish, Devon EX7 ONH UK
 Telephone: +44 (0) 1626 863634. Fax +44 (0) 1626 866283
 E-mail: enquiries@hypro.co.uk . Web site: www.hypro.co.uk