

Hydraulic Projects

Data Sheet R4306_d

R4306 HYDRAULIC STEERING FLUID RESERVOIR

Specifically developed for hydraulic steering systems this robust reservoir comes complete with marine grade isolator tap, tethered filler / breather cap and a pick up that allows extreme heel angles without spillage or air ingress into the system. Manufactured from high-density translucent polyethylene for 'at a glance' checking of fluid level.

Technical Data

Capacity

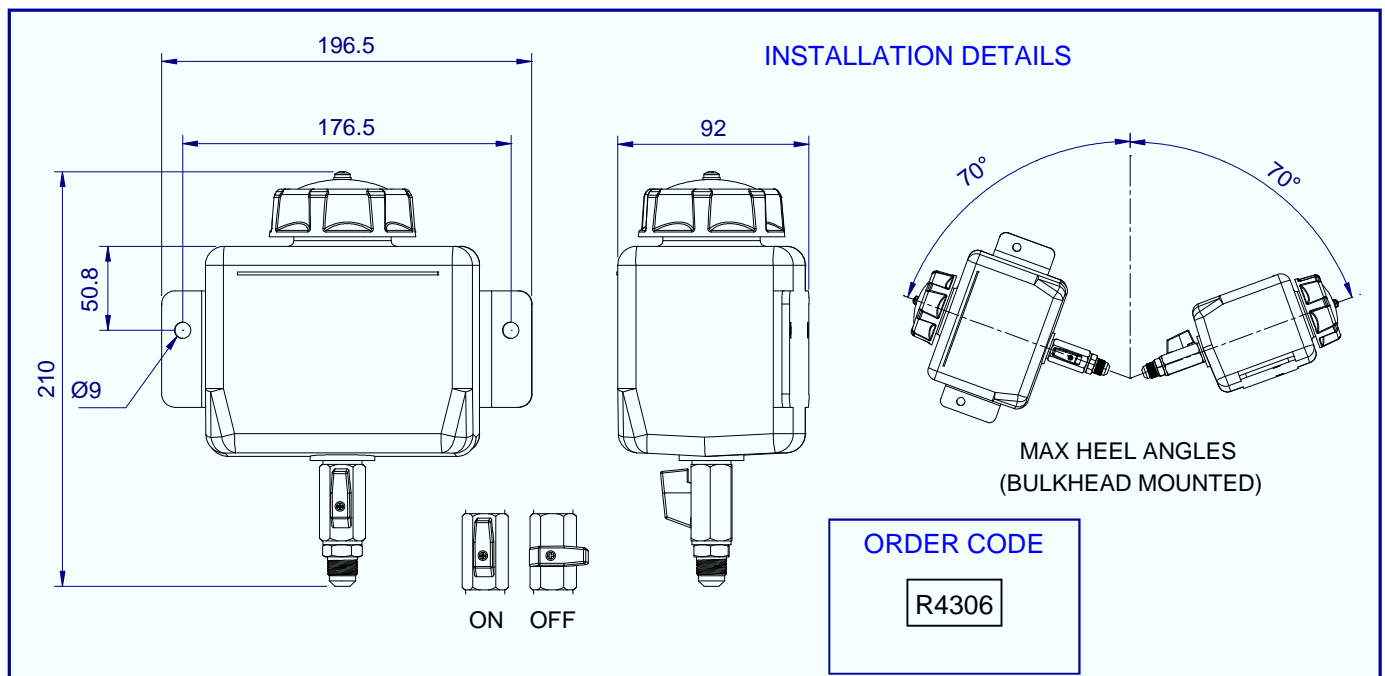
Maximum 0.94 Litre
Recommended 0.70 Litre
(ref. 70° heel angle)

Performance

Temp min -20°C
Temp max +55°C
Max pressure Not applicable

Materials

Body HDPE
Tap Chrome plated brass
Fittings Brass
Seals Nitrile
Weight empty 0.48kg
Connection 5/8 SAE male
(G1/4 option available)



Hydraulic Projects Ltd
Exeter Road
DAWLISH
Devon
EX7 0NH

Telephone: +44 (0) 1626 863634
Fax: +44 (0) 1626 866283
E-mail: sales@hypro.co.uk
Web site: www.hypro.co.uk