

NEW PRODUCT!

Hy-Pro

motion and control solutions

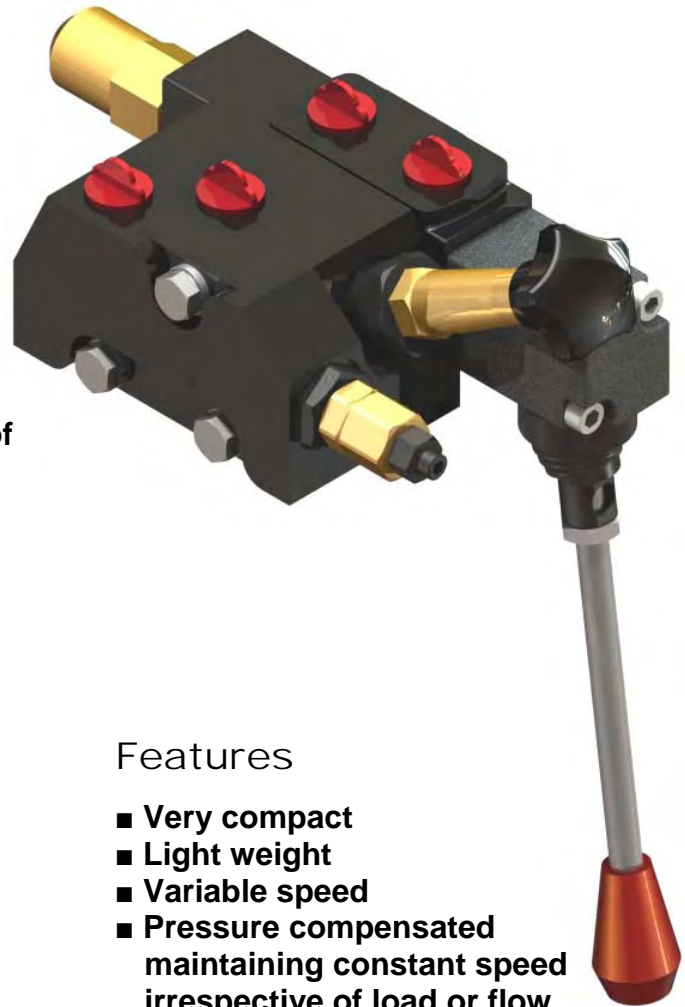
HRV HOSE-REEL VALVE G3/8 40l/min

Product manual HRVd

Description

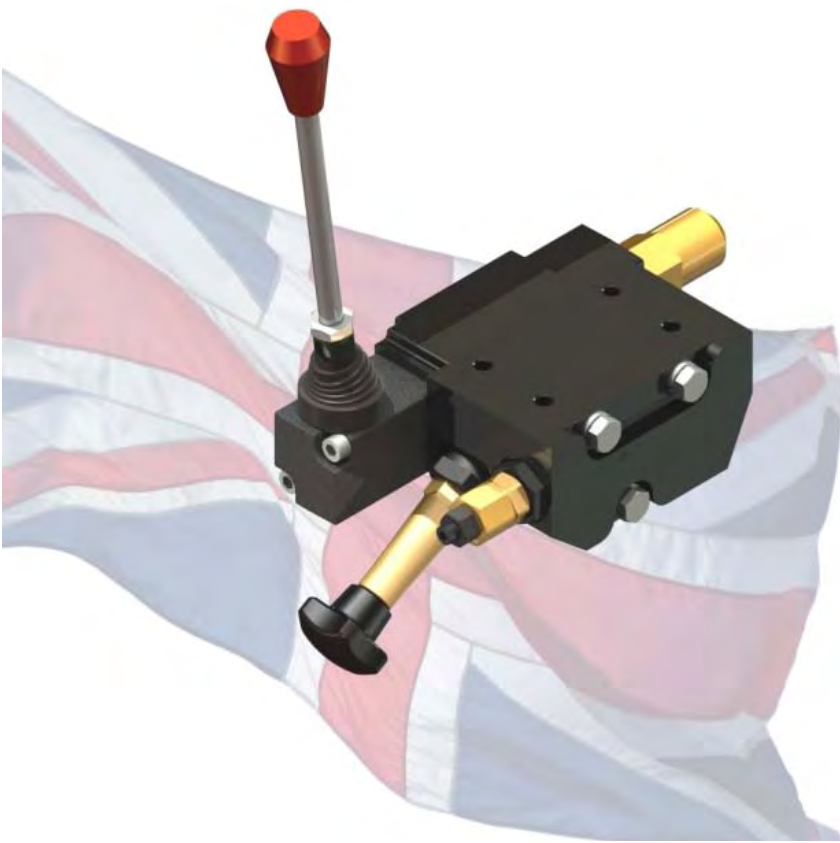
This compact valve has been specifically designed to operate hose and cable reels. It features a pressure compensated, knob operated speed control with integral relief valve. This is linked to a lever operated spool valve with 4 positions.

The desired speed is selected using the speed control knob, then the direction of rotation is selected using the spring centred lever. The lever can also be detented into a fourth position which allows the reel to 'free wheel' enabling the hose to be pulled off by hand. In the neutral position the reel is locked hydraulically.

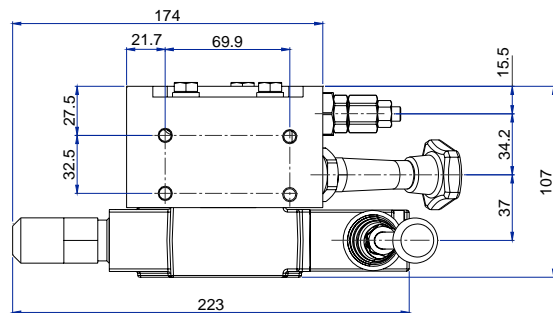
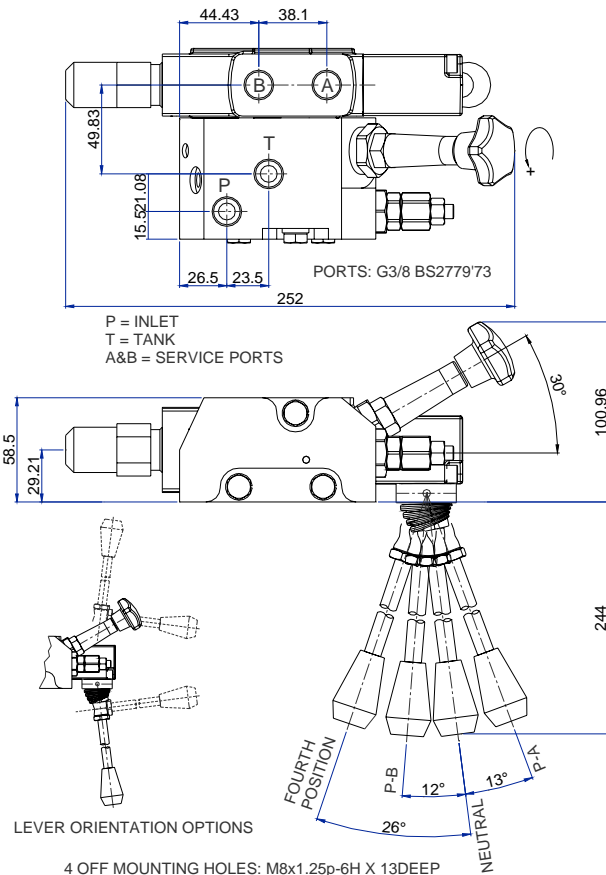
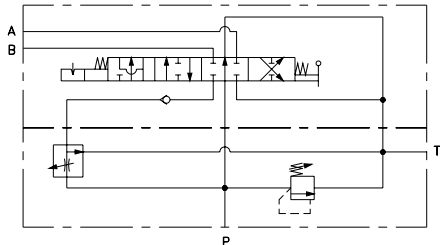
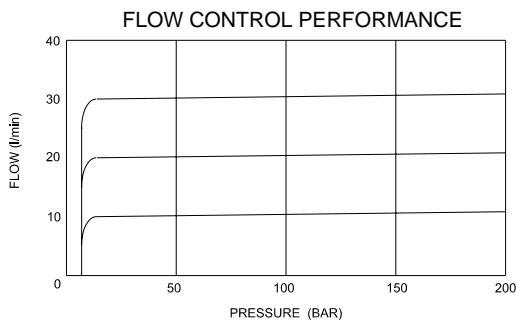
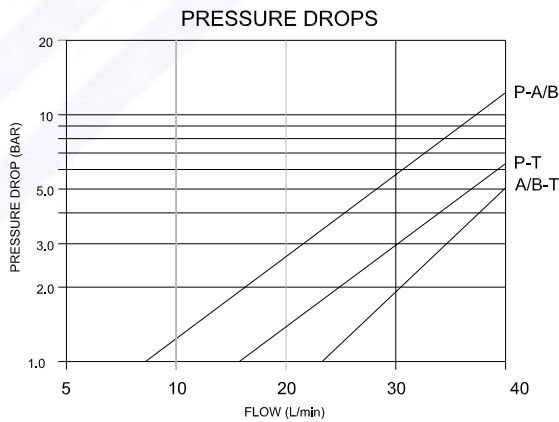


Features

- Very compact
- Light weight
- Variable speed
- Pressure compensated maintaining constant speed irrespective of load or flow
- Adjustable relief valve
- Stainless steel lever with enclosed mechanism
- Electroless nickel-plated spool for exceptional corrosion protection and long life
- 4 bolt mounting
- Environment protected



HRV HOSE-REEL VALVE DETAILS



Performance

Rated flow	40 l/min
Max. pressure inlet port:	250 bar
Max. back pressure outlet port:	25 bar
Temperature min/max:	-20°C/+65°C
Av. spool leakage 210 bar/20°C:	20cc/min
Flow control adjustment:	0-40 LPM
Relief valve adjustment:	7-250 bar
Relief valve setting:	140bar*
Recommended oil:	ISO VG37
Filtration (minimum):	25 micron
Weight	3.3Kg

* Unless otherwise requested relief valves are set 'full open' at 20 lpm / Shell Tellus 37 / 30 to 40 degrees C.

Materials

Section:	Cast iron BS1452-250
Manifold:	Aluminium BS1490
Spool:	Alloy steel EN1A BC 019
	Electroless Nickel DEF 03-5/1
Seals:	Viton, Nitrile, PTFE
External:	Nitrotec NQ3
	Zinc Chromate Zn3 DEF130
	Anodizing BS EN12373-1
	Stainless steel BS EN10088-3
Finish:	Anti-corrosive paint