

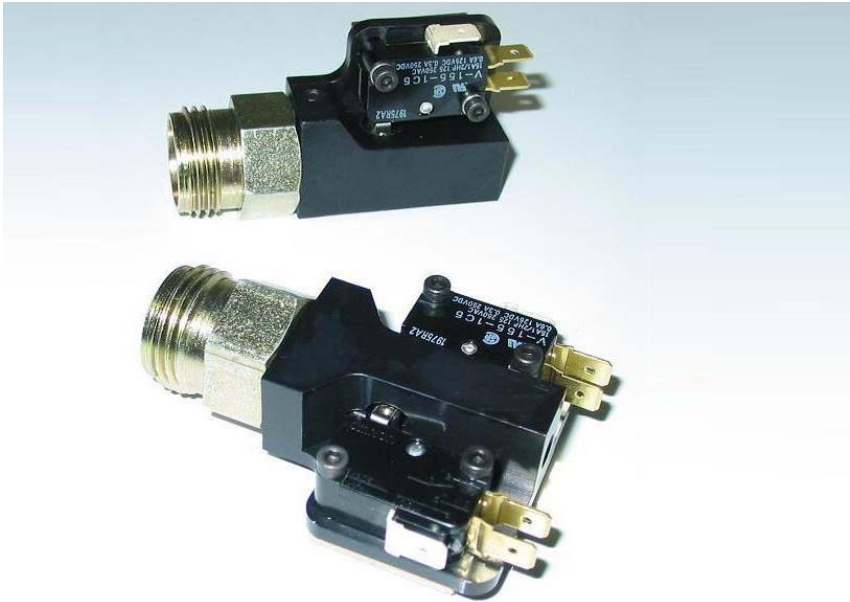
V5-60 SPOOL OPERATED MICRO-SWITCH

Description

Hy-Pro spool operated micro-switches are used when it is necessary to energize an electric circuit as the spool is moved from neutral and to de-energize it when the spool returns to neutral. The micro-switches are actuated by a spring-loaded plunger which follows the spool movement.

Application

Used to switch an electrical pump or warning device when the valve is operated, they can also be used to switch a flow control or solenoid valve. The twin switch option allows operation of an independent



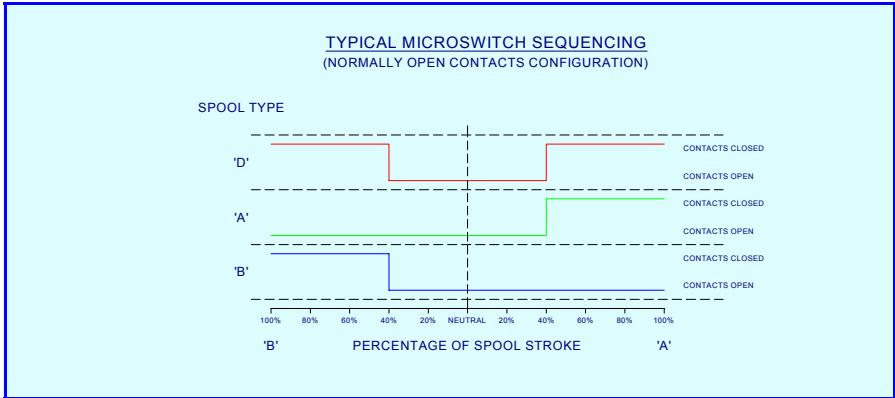
secondary circuit such as safety cut-outs.

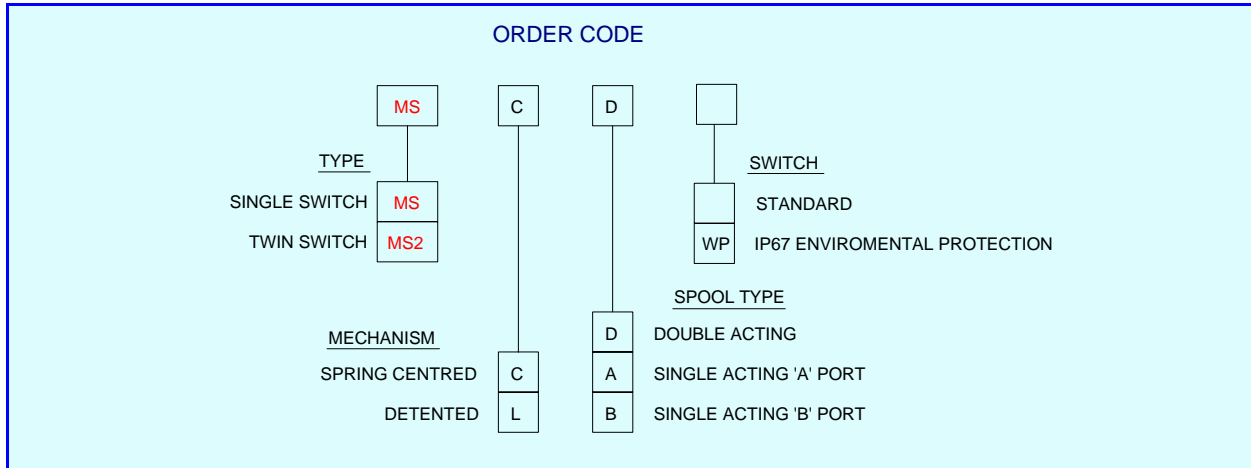
Micro-switches can be fitted to standard valves by removing the centring mechanism housing and replacing it with the micro-switch assembly. The latest design allows this to be achieved without having to remove the section from the valve bank. Care must be taken

during this operation to avoid spool movement which could displace the spool seals.

Options

- Alternative plungers for double acting operations and single-acting operation for A and B ports.
- An IP67 rated switch can be specified where environmental protection is necessary.
- Twin switch assembly.
- Custom options are welcome, please contact us with your requirements.





Technical Data

Switch

Type	V3 Roller lever
Contacts	SPDT
DC Rating	3 amps at 12 volt DC 6 amps at 24 volt DC
AC Rating	15 amps at 240 volt
Temperature rating: min	-25°C
Temperature rating: max	+80°C
Protection	IP44 Standard IP67 Enviromental

Connections

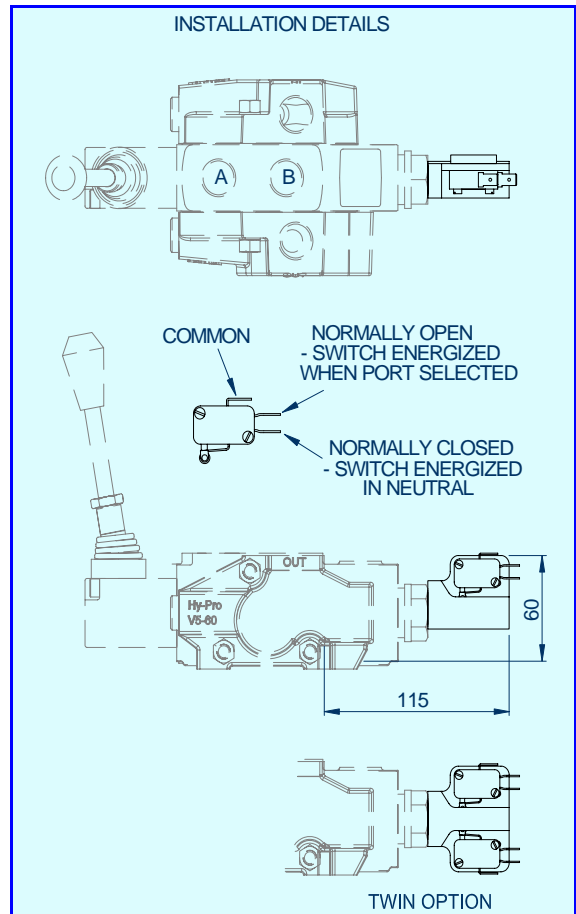
Type	#250 Quick Connect
Terminal 1	Common COM
Terminal 2	Normally closed NC
Terminal 3	Normally open NO

Mounting

HE15TF black anodised
BSEN12373-1cl20

Total Weight

0.08kg (single option)



Hydraulic Projects Ltd, Exeter Road, Dawlish, Devon EX7 ONH
 Telephone: +44 (0) 1626 863634. Fax +44(0) 1626 866283
 E-mail: enquiries@hypro.co.uk . Web site: www.hypro.co.uk