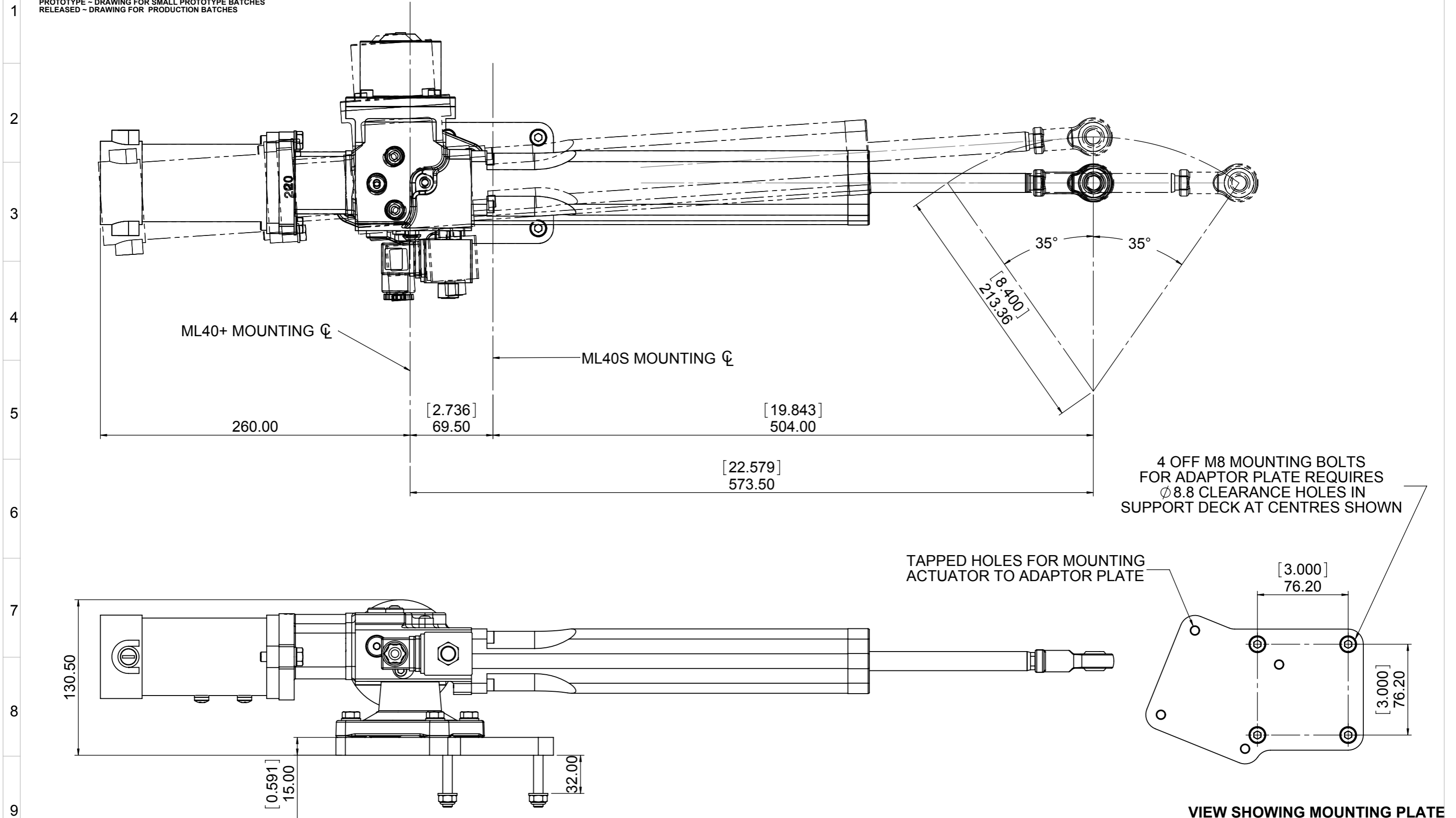


RELEASED DRAWING

PROVISIONAL - DRAWING FOR REVIEW ONLY NOT FOR MANUFACTURING PURPOSES
 PROTOTYPE - DRAWING FOR SMALL PROTOTYPE BATCHES
 RELEASED - DRAWING FOR PRODUCTION BATCHES

THIRD ANGLE PROJECTION **A3**



SEE DRAWING V4065-a FOR ASSEMBLY INSTRUCTIONS

<p>© 2009 DOCUMENT: hypro.slddrw</p>	<p>TOLERANCES UNLESS OTHERWISE STATED DECIMAL None +/- 1 mm DECIMAL 0.0 +/- 0.25mm DECIMAL 0.00 +/- 0.10mm ANGLES +/- 0.5° REFER BS308 PARTS 1 TO 3 ALL DIMENSIONS IN mm</p>	MATERIAL	TREATMENT	DESCRIPTION			
		<p>HYPRO MANUFACTURING QUALITY STANDARDS APPLY DO NOT SCALE IF IN DOUBT ASK HYDRAULIC PROJECTS LTD. 01626 863634 www.hypro.co.uk enquiries@hypro.co.uk</p>		SHEET SCALE	STOCK CODE	DRG NO	ISSUE
				1:3 APPROX. SCALE WHEN PRINTED A3		R4065-i Sheet1 of 2	01

ML40+ RETROFIT INSTALLATION FOR ML40S

