

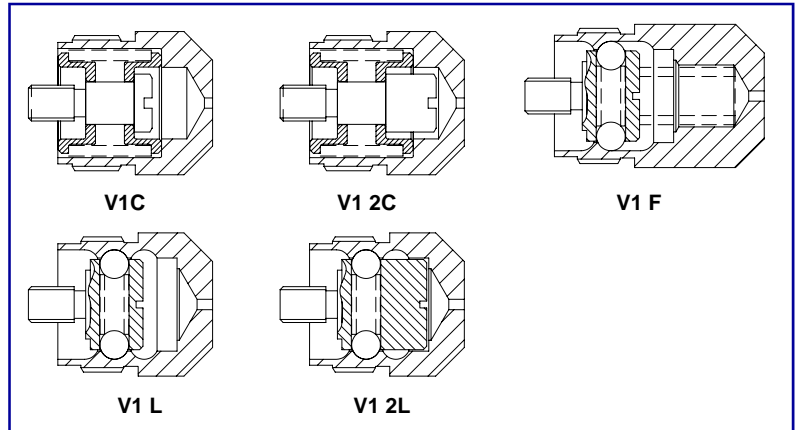
## VALVE SPARES

HY-PRO VALVE SPARES ARE AVAILABLE FROM STOCK, PLEASE PHONE, FAX OR EMAIL WITH YOUR REQUIREMENTS QUOTING THE ORDER CODE AND DESCRIPTION.

### CONVERSION KITS

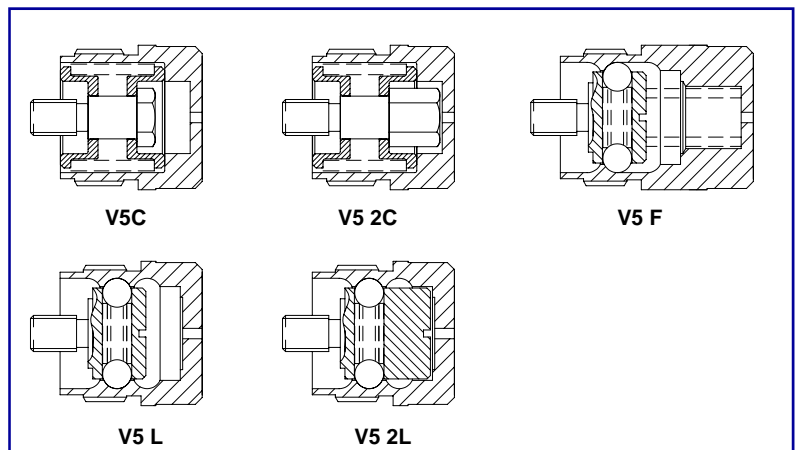
#### V1-40 SECTIONAL

<u>ORDER CODE</u>	<u>DESCRIPTION</u>
V1 C	SPRING CENTERING
V1 2C	SPRING CENTERING - 2 POSITION
V1 L	DETENT
V1 2L	DETENT - 2 POSITION
V1 F	SPRING / DETENT



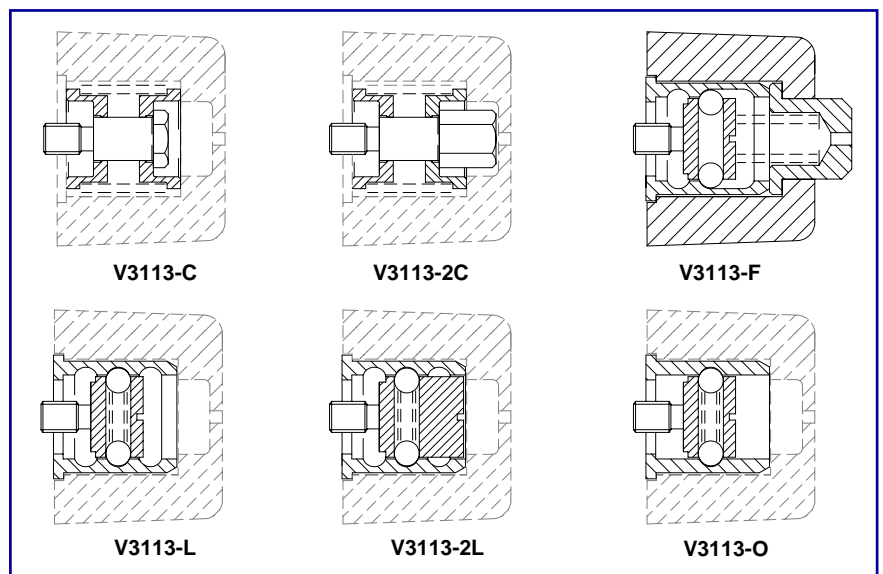
#### V5-60 SECTIONAL

<u>ORDER CODE</u>	<u>DESCRIPTION</u>
V5 C	SPRING CENTERING
V5 2C	SPRING CENTERING - 2 POSITION
V5 L	DETENT
V5 2L	DETENT - 2 POSITION
V5 F	SPRING / DETENT



#### V3-100 SECTIONAL

<u>ORDER CODE</u>	<u>DESCRIPTION</u>
V3113-C	SPRING CENTERING
V3113-2C	SPRING CENTERING
V3113-L	DETENT
V3113-2L	DETENT - 2 POSITION
V3113-F	SPRING / DETENT
V3113-O	FRICTION DETENT



Hydraulic Projects Limited, Dawlish Business Park, Dawlish, Devon, UK, EX7 0NH  
 Tel: +44 (0)1626 863634 | Fax: +44 (0)1626 866283 | Email: sales@hypro.co.uk | Web: www.hypro.co.uk