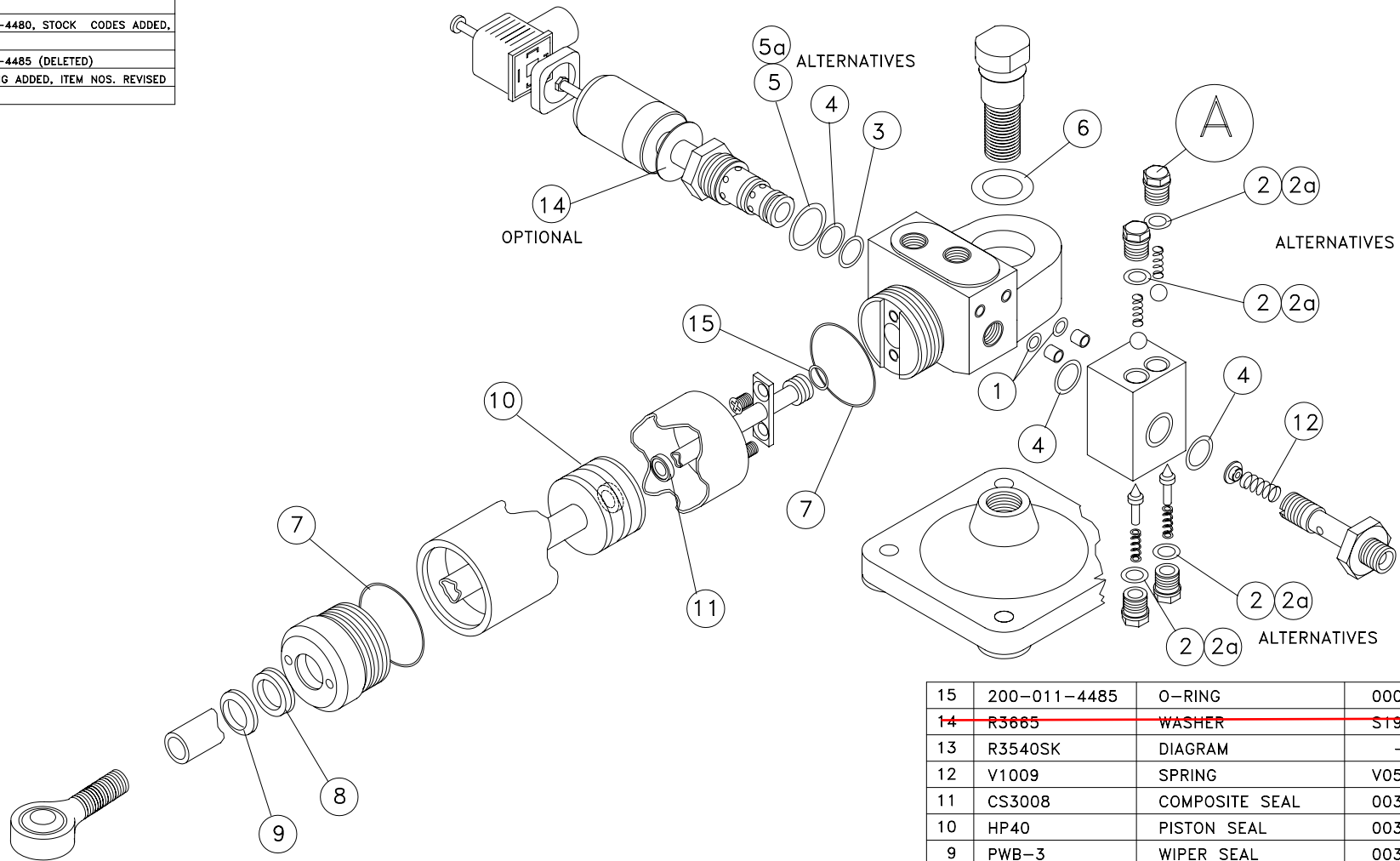


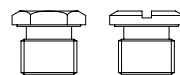
ISS.	DATE	MODIFICATION
2	4/1/00	ITEM 1 WAS 206-006-4480, STOCK CODES ADDED, ITEM 15 ADDED
3	25/9/02	ITEM 2 WAS 200-011-4485 (DELETED)
		ITEM 5 - 016 O-RING ADDED, ITEM NOS. REVISED
04	03/04/06	DAR 10232.2



USE ITEM 2 'O' RING

PLEASE NOTE ALTERNATIVE PLUG DESIGN ITEM A

PLEASE USE THE CORRECT 'O' RING



USE ITEM 2a 'O' RING

15	200-011-4485	O-RING	000530	1
<del>14</del>	<del>R3865</del>	<del>WASHER</del>	<del>ST9070</del>	<del>1</del>
13	R3540SK	DIAGRAM	-	1
12	V1009	SPRING	V05900	1
11	CS3008	COMPOSITE SEAL	003610	1
10	HP40	PISTON SEAL	003410	1
9	PWB-3	WIPER SEAL	003400	1
8	CPU 100062-1	ROD SEAL	003440	1
7	202-653-4475	'O'-RING	000730	2
6	200-314-4470	'O'-RING	000711	1
5a	200-016-4485	'O'-RING	000580	1
5	200-115-4470	'O'-RING	000680	1
4	200-015-4485	'O'-RING	000570	3
3	200-014-4485	'O'-RING	000560	1
2a	200-012-4485	'O'-RING	000540	4
2	200-904-4490	'O'-RING	V02977	4
1	206-006-4485	'O'-RING	000734	2
ITEM	PART NO.	DESCRIPTION	STOCK CODE	NO. OFF

# Hy-Pro

© 1999

FORM 1 C:\BORDER\BORDER

MATERIAL

HYPRO MANUFACTURING QUALITY  
STANDARDS APPLY  
DO NOT SCALE  
IF IN DOUBT ASK

HYDRAULIC PROJECTS LTD. 01626 863634 FAX 01626 866283

TREATMENT

ORIGINAL SCALE

FIRST DRAWN  
C.MORLEY

25/1/1999

CHECKED

Printed from  
Released

STOCK CODE

APPROVED  
By Martin at 8:54 am, 4/18/06

TOLERANCE  
UNLESS OTHERWISE STATED  
DECIMAL .0 ±.015"  
DECIMAL .00 ±.010"  
DECIMAL .000 ±.005"  
ANGLES ±.0 deg 30"  
CONCENTRICITY .005" T.I.R. MAX  
REFER BS308  
ENGINEERING DRAWING PRACTICE  
PARTS 1 TO 3

MC40 CYLINDER  
SERVICE KIT

R3540-sk

ISSUE

04