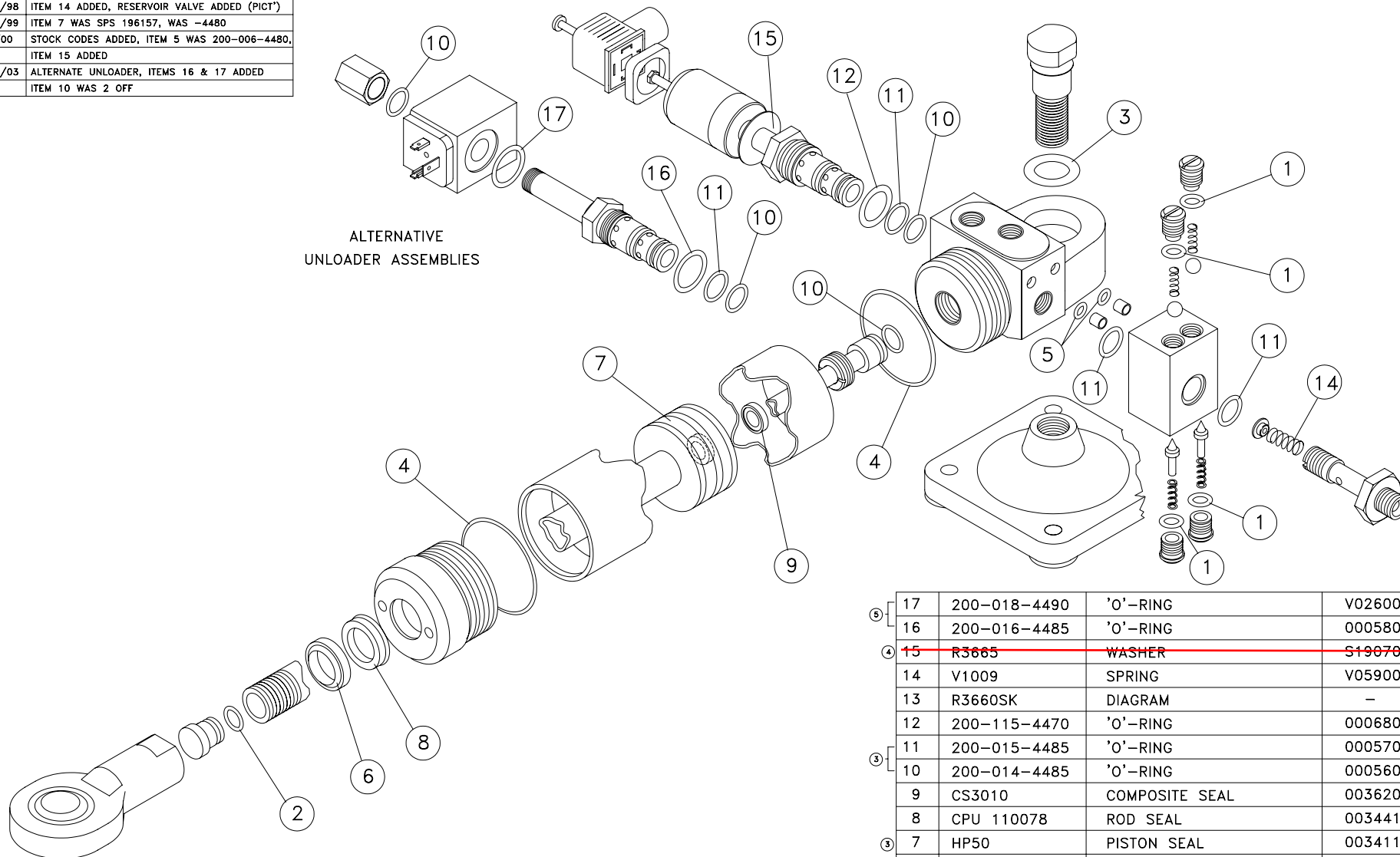


ISS.	DATE	MODIFICATION
2	17/3/98	ITEM 14 ADDED, RESERVOIR VALVE ADDED (PICT*)
3	25/1/99	ITEM 7 WAS SPS 196157, WAS -4480
4	4/1/00	STOCK CODES ADDED, ITEM 5 WAS 200-006-4480, ITEM 15 ADDED
5	21/7/03	ALTERNATE UNLOADER, ITEMS 16 & 17 ADDED ITEM 10 WAS 2 OFF

ALTERNATIVE UNLOADER ASSEMBLIES



③	17	200-018-4490	'O'-RING	V02600	1
	16	200-016-4485	'O'-RING	000580	1
④	15	R3665	WASHER	S19070	1
	14	V1009	SPRING	V05900	1
	13	R3660SK	DIAGRAM	-	1
	12	200-115-4470	'O'-RING	000680	1
	11	200-015-4485	'O'-RING	000570	3
③	10	200-014-4485	'O'-RING	000560	3
	9	CS3010	COMPOSITE SEAL	003620	1
	8	CPU 110078	ROD SEAL	003441	1
③	7	HP50	PISTON SEAL	003411	1
	6	PWM 078110	WIPER SEAL	003401	1
④	5	206-006-4480	'O'-RING	000734	2
	4	202-657-4470	'O'-RING	000731	2
	3	200-314-4470	'O'-RING	000711	1
	2	200-013-4485	'O'-RING	000550	1
⑤	1	200-012-4485	'O'-RING	000540	4
	ITEM	PART NO.	DESCRIPTION	STOCK CODE	NO. OFF

Hydraulic Projects Ltd.

© 1997

FORM 1 C:\BORDER\BORDER

MATERIAL

HYPRO MANUFACTURING QUALITY
STANDARDS APPLY
DO NOT SCALE
IF IN DOUBT ASK

HYDRAULIC PROJECTS LTD. 01626 863634 FAX 01626 866283

TREATMENT

ORIGINAL SCALE

1:1

FIRST DRAWN
C.MORLEY

15/9/97

CHECKED

STOCK CODE

TOLERANCE
UNLESS OTHERWISE STATED
DECIMAL .0 ± .015"
DECIMAL .00 ± .010"
DECIMAL .000 ± .005"
ANGLES ± .0 deg 30'
CONCENTRICITY .005" T.I.R. MAX
REFER BS308
ENGINEERING DRAWING PRACTICE
PARTS 1 TO 3

MC50 CYLINDER
SERVICE KIT

R3660SK

ISSUE

5