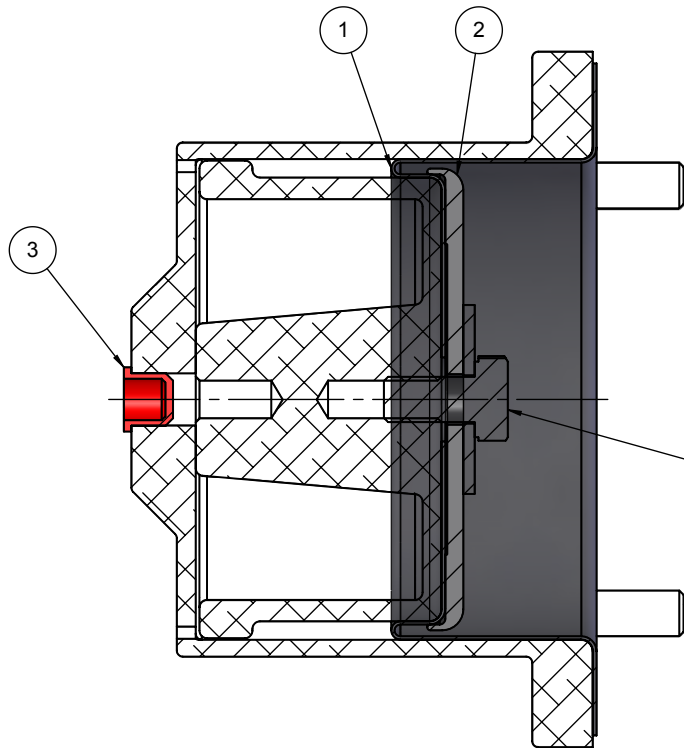


# RELEASED DRAWING

PROVISIONAL - DRAWING FOR REVIEW ONLY NOT FOR MANUFACTURING PURPOSES  
 PROTOTYPE - DRAWING FOR SMALL PROTOTYPE BATCHES  
 RELEASED - DRAWING FOR PRODUCTION BATCHES

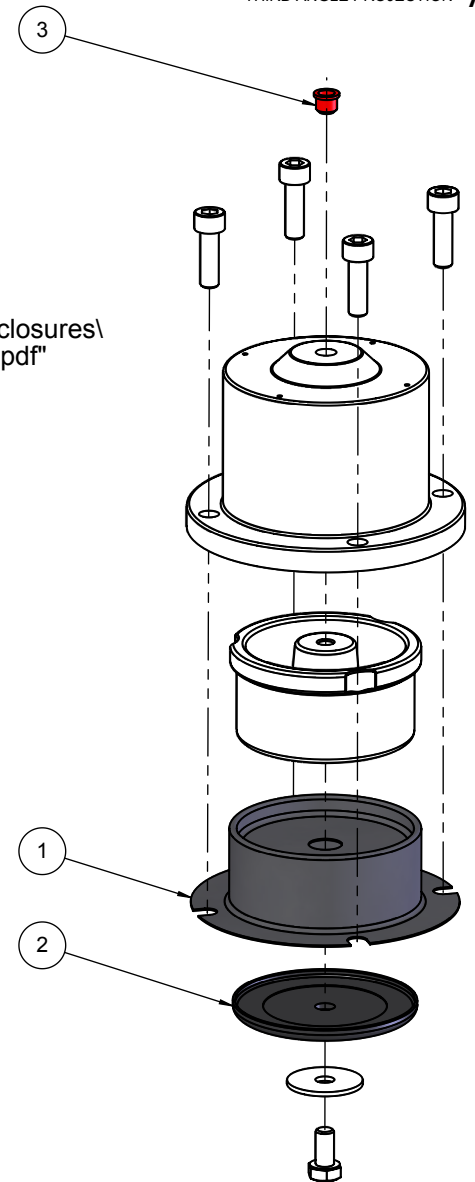


## NOTES

- 1) ONLY PARTS IDENTIFIED IN BALLOONS / BOM ARE INCLUDED WITH THE KIT
- 2) KIT SHALL INCLUDE A COPY OF THE SERVICING INSTRUCTIONS:  
 "K:\11 Product Documentation & Labels\Manuals & Enclosures\  
 Customer Documentation\Marine Service Instructions.pdf"
- 3) ASTERISK ( \* ) IN PART No. FIELD MEANS PART No. IS SAME AS DRAWING No.

REASSEMBLY:  
 APPLY ADHESIVE HMS1008.01  
 (LOCTITE 222 / ORAPI 101)  
 TORQUE 6 Nm

REASSEMBLY TO MANIFOLD:  
 APPLY ADHESIVE HMS1008.01  
 (LOCTITE 222 / ORAPI 101)  
 TORQUE 8 Nm  
 4 x SCREWS



ITEM NO.	DRG NO	PART NO	DESCRIPTION	STOCKCODE	R4005-sk QUANTITY
1	R4032	*	RESERVOIR DIAPHRAM (4-250-150-CBJ-2)	040320	1
2	R4034	*	DIAPHRAM RETAINER	040340	1
3		B2050.12154	PARALLEL PROTECTION PLUG	000450	1

**Hy-Pro**  
 motion and control solutions

TOLERANCES  
 UNLESS OTHERWISE STATED  
 DECIMAL None +/- 1 mm  
 DECIMAL 0.0 +/- 0.25mm  
 DECIMAL 0.00 +/- 0.10mm  
 ANGLES +/- 0.5°  
 REFER BS308 PARTS 1 TO 3  
 ALL DIMENSIONS IN mm

MATERIAL

TREATMENT

DESCRIPTION

**ML+40 RESERVOIR SERVICE KIT**

© 2013

DOCUMENT: hypro.slddrw

HYPRO MANUFACTURING QUALITY STANDARDS APPLY  
 DO NOT SCALE IF IN DOUBT ASK  
 HYDRAULIC PROJECTS LTD. 01626 863634  
 www.hypro.co.uk enquiries@hypro.co.uk

SHEET SCALE  
 1:1  
 APPROX. SCALE  
 WHEN PRINTED A4

STOCK CODE  
**NOT STOCKED**

DRG NO  
**R4005-sk**  
 Sheet1 of 2

ISSUE  
**02**

