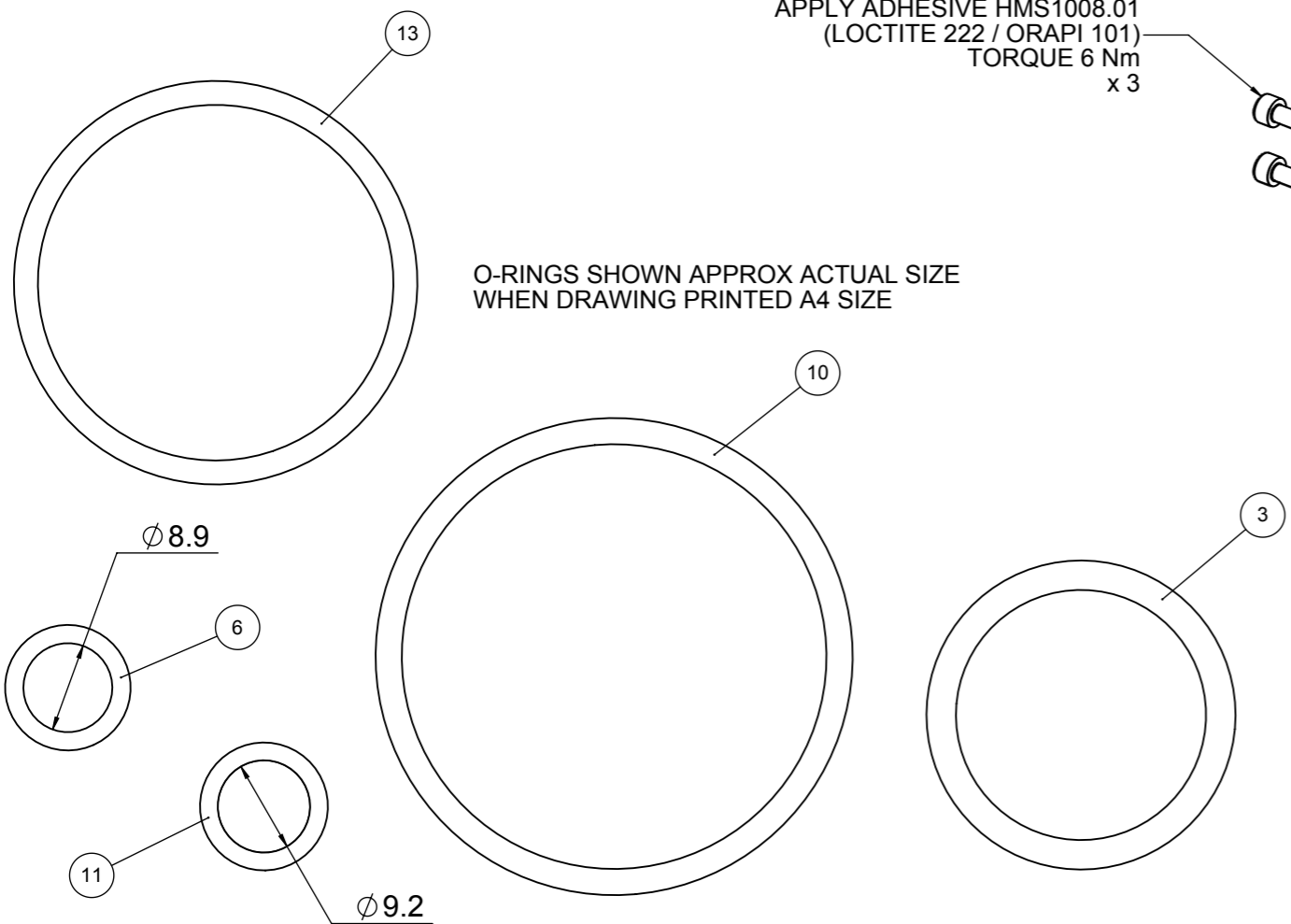


RELEASED DRAWING

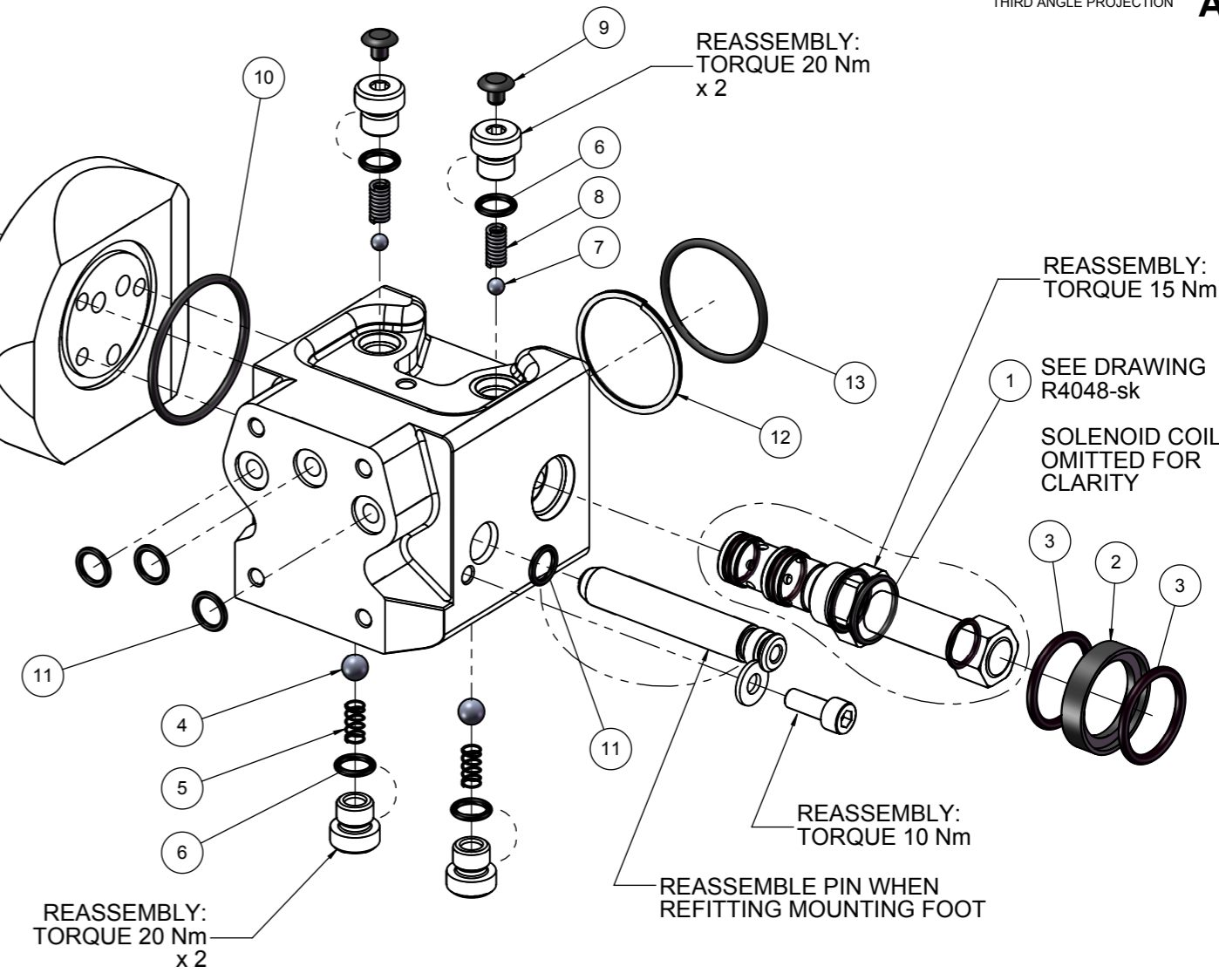
PROVISIONAL - DRAWING FOR REVIEW ONLY NOT FOR MANUFACTURING PURPOSES
 PROTOTYPE - DRAWING FOR SMALL PROTOTYPE BATCHES
 RELEASED - DRAWING FOR PRODUCTION BATCHES

THIRD ANGLE PROJECTION **A3**

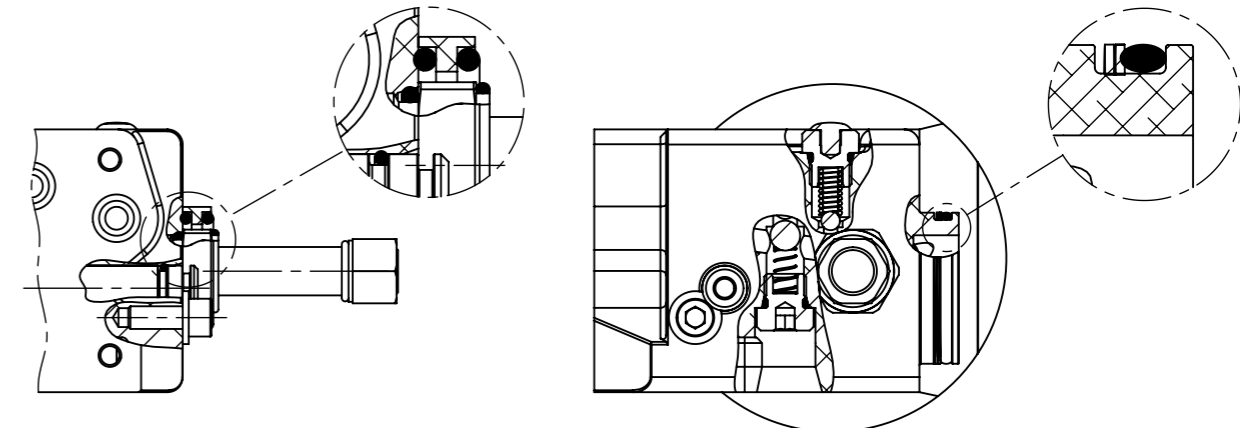


O-RINGS SHOWN APPROX ACTUAL SIZE
 WHEN DRAWING PRINTED A4 SIZE

REASSEMBLY:
 APPLY ADHESIVE HMS1008.01
 (LOCTITE 222 / ORAPI 101)
 TORQUE 6 Nm
 x 3



ITEM NO.	DRG NO	PART NO	DESCRIPTION	STOCKCODE	QUANTITY
					R4225-sk
1	R4048-sk	*	UNLOADER CARTRIDGE SERVICE KIT	NOT STOCKED	1
2	R4229	*	SOLENOID TUBE CORROSION PROTECTION SLEEVE	042290	1
3		206-325-4470	O RING 25mm ID 3mm Thk	000746	2
4	B5001	B5001.03	5/16" CHROME STEEL BALL	V06520	2
5		LCM-050C-5MW	AC VALVE SPRING	001188	2
6		200-904-4490	O RING	V02977	4
7	B5001	B5001.M05	5mm CHROME STEEL BALL	V06600	2
8		LC-042C-6MW	COMPRESSION SPRING	001199	2
9		B5019	6mm SNAP RIVET	003184	2
10		200-131-4470	O RING	000682	1
11		200-012-4485	O RING	000540	4
12		BS 356-24	SPIRAL BACK UP 40 x 36 x 1.4	000940	1
13		202-672-4490	O RING	000739	1



NOTES

- 1) ONLY PARTS IDENTIFIED IN BALLOONS / BOM ARE INCLUDED WITH THE KIT
- 2) KIT SHALL INCLUDE A COPY OF THE SERVICING INSTRUCTIONS:
 "K:\11 Product Documentation & Labels\Manuals & Enclosures\Customer Documentation\
 Marine Service Instructions.pdf"
- 3) ASTERISK (*) IN PART No. FIELD MEANS PART No. IS SAME AS DRAWING No.



© 2013
 DOCUMENT: hypro.slddrw

TOLERANCES
 UNLESS OTHERWISE STATED
 DECIMAL None +/- 1 mm
 DECIMAL 0.0 +/- 0.25mm
 DECIMAL 0.00 +/- 0.10mm
 ANGLES +/- 0.5°
 REFER BS308 PARTS 1 TO 3
 ALL DIMENSIONS IN mm

MATERIAL	TREATMENT	DESCRIPTION	ML+40 MANIFOLD SERVICE KIT		
HYPRO MANUFACTURING QUALITY STANDARDS APPLY DO NOT SCALE IF IN DOUBT ASK HYDRAULIC PROJECTS LTD. 01626 863634 www.hypro.co.uk enquiries@hypro.co.uk	SHEET SCALE 1:2 APPROX. SCALE WHEN PRINTED A3	STOCK CODE NOT STOCKED	DRG NO R4225-sk	ISSUE 02	Sheet 1 of 3

RELEASED DRAWING

PROVISIONAL - DRAWING FOR REVIEW ONLY NOT FOR MANUFACTURING PURPOSES
 PROTOTYPE - DRAWING FOR SMALL PROTOTYPE BATCHES
 RELEASED - DRAWING FOR PRODUCTION BATCHES



TOTAL BOM NOT UP-TO-DATE: USE SHEET 1 BOM AND R4048-sk LATEST ISSUE

TOTAL BOM - FOR REFERENCE ONLY.

THIS BOM CONTAINS A LIST OF ALL INDIVIDUAL PARTS CONTAINED WITHIN THE KIT.
 THE FOLLOWING SUB-KITS HAVE BEEN 'EXPLODED' AND THEIR COMPONENTS INCLUDED HERE:

R4048-sk ISSUE 02

THIS BOM SHOULD BE CONSIDERED OUT-OF-DATE IF SUB-KIT HAS BEEN REVISED SINCE THE STATED ISSUE No.

ITEM NO.*	DRG NO	PART NO	DESCRIPTION	STOCKCODE	R4225-sk
1		200-012-4485	O RING	000540	4
2		200-014-4490	O RING	V02560	2
3		200-015-4485	O RING	000570	1
4		200-018-4490	O RING	V02600	1
5		200-131-4470	O RING	000682	1
6		200-904-4490	O RING	V02977	4
7		200-908-4490	O RING	V02980	1
8		202-672-4490	O RING	000739	1
9		206-325-4470	O RING 25mm ID 3mm Thk	000746	2
10	R4229	*	SOLENOID TUBE CORROSION PROTECTION SLEEVE	042290	1
11	B5001	B5001.03	5/16" CHROME STEEL BALL	V06520	2
12	B5001	B5001.M05	5mm CHROME STEEL BALL	V06600	2
13		LCM-050C-5MW	AC VALVE SPRING	001188	2
14		LC-042C-6MW	COMPRESSION SPRING	001199	2
15		B5019	6mm SNAP RIVET	003184	2
16		BS 356-24	SPIRAL BACK UP 40 x 36 x 1.4	000940	1

* BOM ITEM Nos. NOT LINKED TO BALLOON VALUES



TOLERANCES UNLESS OTHERWISE STATED
 DECIMAL None +/- 1 mm
 DECIMAL 0.0 +/- 0.25mm
 DECIMAL 0.00 +/- 0.10mm
 ANGLES +/- 0.5°
 REFER BS308 PARTS 1 TO 3
 ALL DIMENSIONS IN mm

MATERIAL

TREATMENT

DESCRIPTION

ML+40 MANIFOLD SERVICE KIT



2013

DOCUMENT: hypro.slddrw

HYPRO MANUFACTURING QUALITY STANDARDS APPLY
 DO NOT SCALE IF IN DOUBT ASK
 HYDRAULIC PROJECTS LTD. 01626 863634
 www.hypro.co.uk enquiries@hypro.co.uk

SHEET SCALE

1:1
 APPROX. SCALE WHEN PRINTED A4

STOCK CODE

NOT STOCKED

DRG NO

R4225-sk

Sheet2 of 3

ISSUE

02

