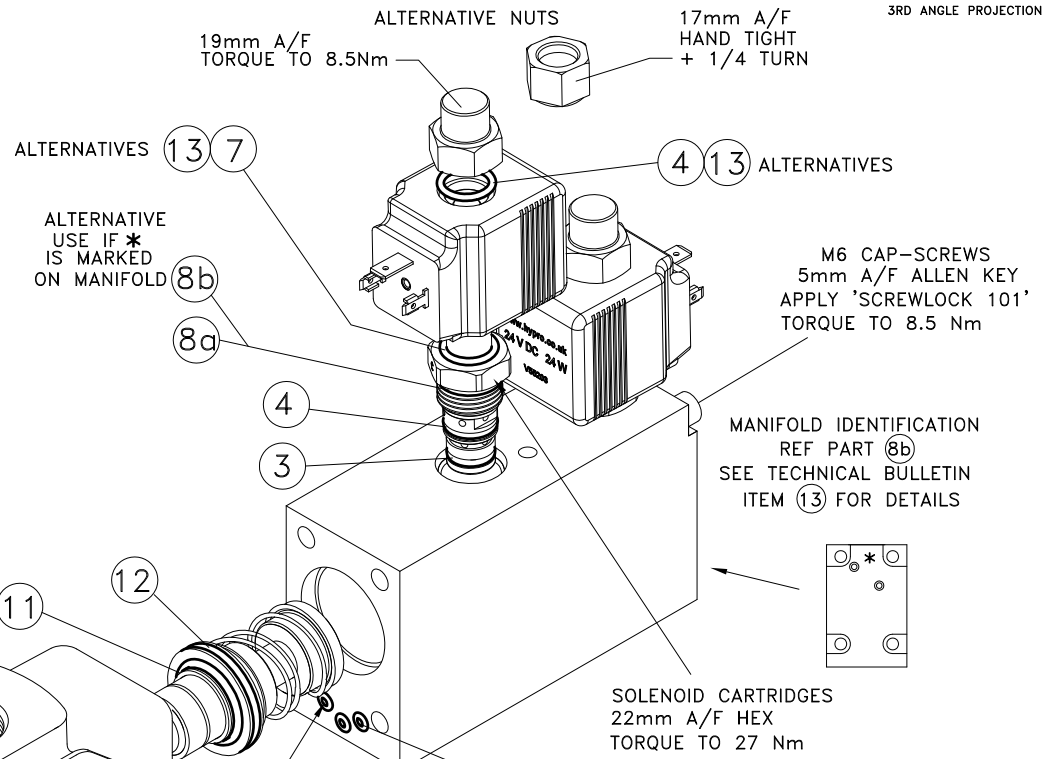
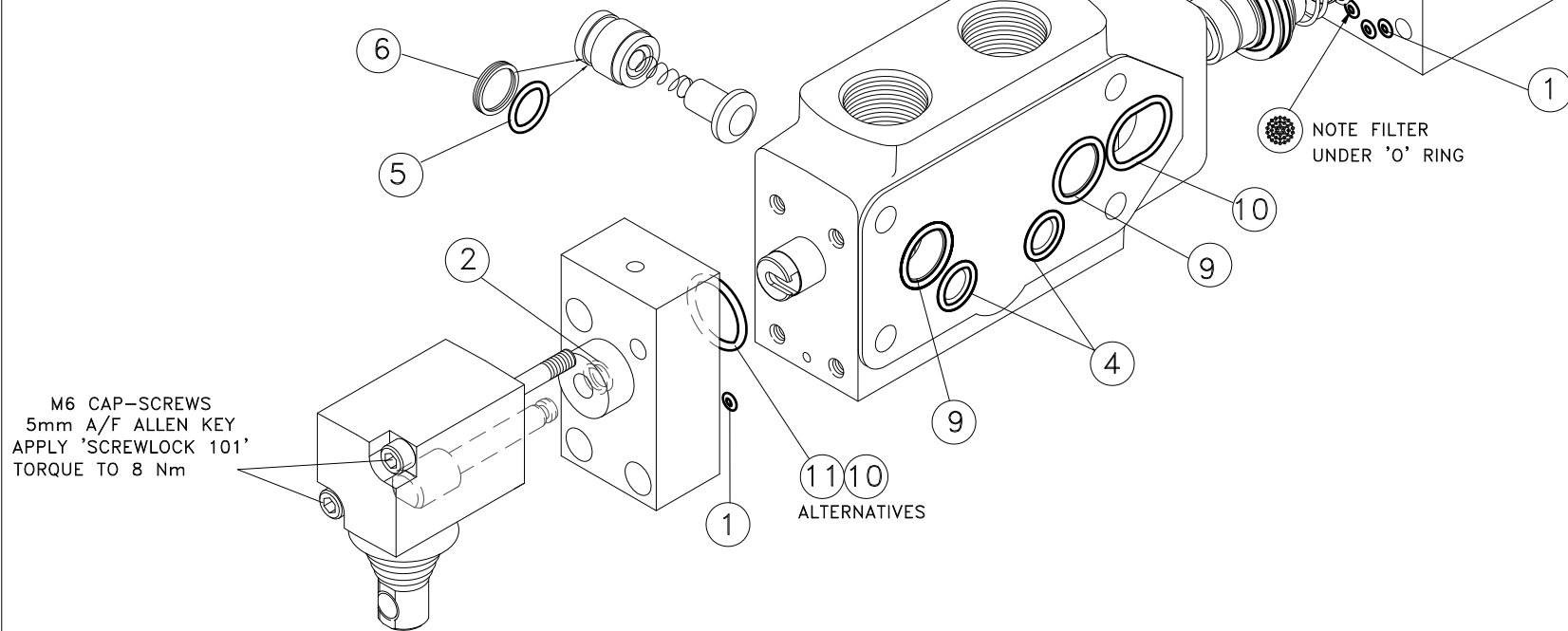


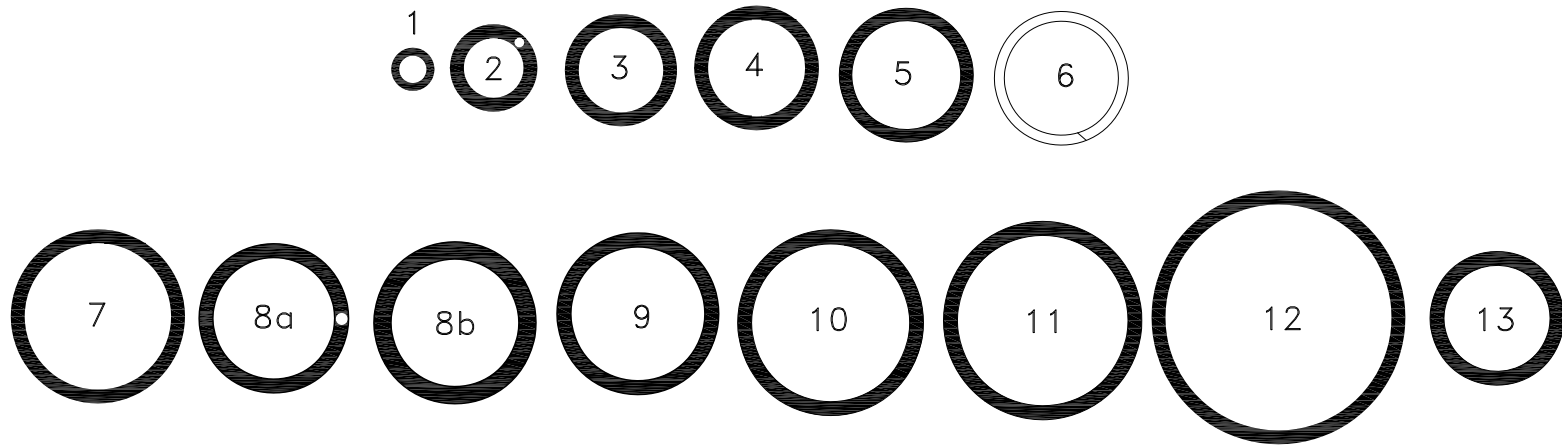
ISS.	DRN	DRAWN BY	DATE	CHECKED BY	COMMENT
01	10229	~~~~	05/01/06	~~~~	~~~~
02	10614	B WYNN	09/09/09	C MORLEY	ITEM 1 90 SHORE HARDNESS WAS 75
03	11078807	C MORLEY	19/05/2016	M COOPER	REFER DRN

ITEM	PART NUMBER	DESCRIPTION	STOCK CODE	QTY
14	TB1002	TECHNICAL BULLETIN	-	1
13	0130-20-NBR70	'O' RING	V52907	4
12	200-024-4490	'O' RING	V02660	1
11	200-020-4490	'O' RING	V02620	2
10	200-019-4490	'O' RING	V02610	2
9	200-017-4490	'O' RING	V02590	2
8b	200-908-4490	'O' RING	V02980	2
8a	200-016-9775	'O' RING VITON	V03080	2
7	200-018-4490	'O' RING	V02600	2
6	BS0141-16	A-E RING	V04260	1
5	202-516-5590	'O' RING	V03510	1
4	200-014-4490	'O' RING	V02560	4
3	200-013-4490	'O' RING	V02550	2
2	200-011-9775	'O' RING VITON	V03030	1
1	0035-10-NBR90	'O' RING	V02490	4

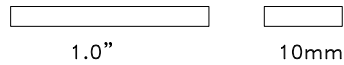
INCLUDE A COPY OF THIS DRAWING IN WITH THE SEAL KIT  
ENSURE PARTS ARE CLEAN BEFORE ASSEMBLY  
LIGHTLY OIL PARTS AND SEALS TO AID ASSEMBLY



<h1>Hy-Pro</h1> <p>© 2005</p> <p>FORM 1 H:\CAD\BORDER\BORDER</p>	<b>MATERIAL</b> HYPRO MANUFACTURING QUALITY STANDARDS APPLY DO NOT SCALE IF IN DOUBT ASK		<b>TREATMENT</b>		<b>TOLERANCE</b> UNLESS OTHERWISE STATED DECIMAL .0 +\ - .015" DECIMAL .00 +\ - .010" DECIMAL .000 +\ - .005" ANGLES +\ - 0 deg. 30' CONCENTRICITY .005" T.I.R. MAX REFER BS308 ENGINEERING DRAWING PRACTICE PARTS 1 TO 3	<b>V3-100</b> <b>SOLENOID VALVE SECTION</b> <b>SEAL KIT</b>	
	ORIGINAL SCALE 1:1	FIRST DRAWN Barry Wynn 07/10/05	CHECKED	STOCK CODE <b>V3SKE</b>		<b>V3-100E-sk</b>	ISSUE <b>03</b>



SEALS PRINTED ACTUAL SIZE FOR IDENTIFICATION



**Hy-Pro**

© 2005

FORM 1 H:\CAD\BORDER\BORDER

MATERIAL

HYPRO MANUFACTURING QUALITY  
STANDARDS APPLY  
DO NOT SCALE  
IF IN DOUBT ASK

HYDRAULIC PROJECTS LTD. 01626 863634 FAX 01626 866283

TREATMENT

ORIGINAL SCALE

1:1

FIRST DRAWN

Barry Wynn

07/10/05

CHECKED

STOCK CODE

V3SKE

TOLERANCE  
UNLESS OTHERWISE STATED  
DECIMAL .0 +\ - .015"  
DECIMAL .00 +\ - .010"  
DECIMAL .000 +\ - .005"  
ANGLES +\ - 0 deg 30'  
CONCENTRICITY .005" T.I.R. MAX

REFER BS308  
ENGINEERING DRAWING PRACTICE  
PARTS 1 TO 3

V3-100  
SOLENOID VALVE SECTION  
SEAL KIT

V3-100E-sk

ISSUE

03