

Technical Bulletin

To - Agents, Distributors and OEM's

Introduction of New Solenoid Cartridges and Coils

As part of our product improvement program please be advised that from January 2016 a new range of solenoid proportional and directional cartridges and coils will be introduced into V3-100E, V5-60E and V4-40E sectional control valves assemblies.

The cartridge fit and function remains the same but there are dimensional differences to the coil and retaining nuts so the following must be noted for spares and service parts.

- 1) Old and new cartridges are interchangeable but the coils and retaining nuts are not.**
- 2) You cannot fit an old coil / nut to a new cartridge.**
- 3) You cannot fit a new coil / nut to an old cartridge**

DIRECTIONAL SOLENOIDS

OLD



NEW



Directional Solenoid Cartridge and Coil Spares

New part number

V5 V5533-a C12
V5 V5533-a C24

Description

Normally Closed solenoid cartridge incl. 12V coil & cap nut
Normally Closed solenoid cartridge incl. 24V coil & cap nut

N/C = Red dot on cartridge



Replaces V5 V5500-C, V5 COIL 12 and V5 COIL 24

New part number

V5 V5533-a O12
V5 V5533-a O24

Description

Normally Open solenoid cartridge incl. 12V coil & cap nut
Normally Open solenoid cartridge incl. 24V coil & cap nut

N/O = Yellow dot on cartridge



Replaces V5 V5500-O, V5 COIL 12 and V5 COIL 24

New part number

V5 V55202
V5 V55203

Description

Valve coil 12V 24W
Valve coil 24V 24W



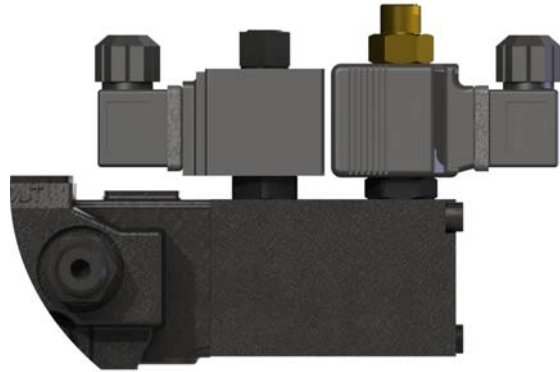
These coils can only be used with the new cartridges and nuts as per above.

Replaces V5 COIL 12 and V5 COIL 24

Complete Directional Solenoid Manifold Spares

Where one cartridge/coil is replaced a new type can be fitted adjacent to an old type.

If both cartridges/coils are to be replaced Then a complete new manifold assembly must be used.

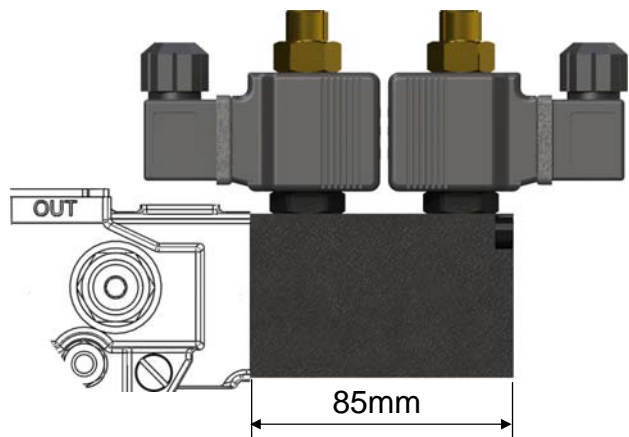


Standard Manifold

New part number

Description

V3 V3201 N/C 12V	V3 Manifold assembly complete with N/C cartridges & 12V coils
V3 V3201 N/C 24V	V3 Manifold assembly complete with N/C cartridges & 24V coils
V5 V5505 N/C 12V	V4/V5 Short manifold assembly complete with N/C cartridges & 12V coils
V5 V5505 N/C 24V	V4/V5 Short manifold assembly complete with N/C cartridges & 24V coils

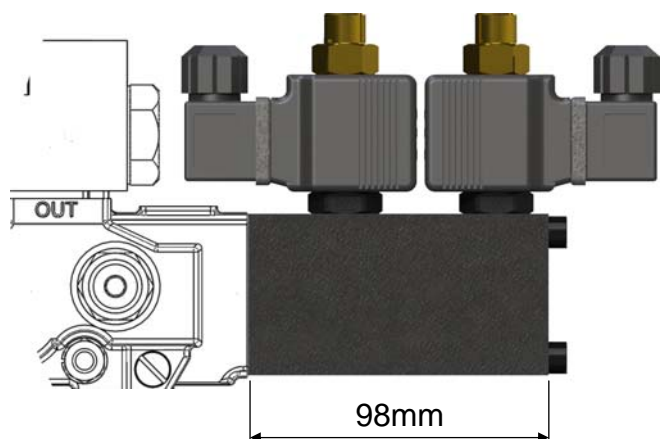


Extended Manifold

New part number

Description

V5 V5513 N/C 12V	V4/V5 Long manifold assembly complete with N/C cartridges & 12V coils
V5 V5513 N/C 24V	V4/V5 Long manifold assembly complete with N/C cartridges & 24V coils



Use where spool sections
Have a top mounted ancillaries fitted

PROPORTIONAL SOLENOIDS



OLD



NEW

Proportional Solenoid Cartridges & Coil Spares



New part number

V5 V5535 12

Proportional cartridge,
Coil & Nut assembly.

Single row low orifices
and
Single row mid orifices.



New part number

V5 V5536 12

Proportional cartridge,
Coil & Nut assembly.

Double row orifices



New part number

V5 V52905

Proportional Coil 12V.

Can only be used with
the new cartridges.

If in doubt ask!

Hydraulic Projects Ltd.
Telephone +44 (0) 1626 863634
email: sales@hypro.co.uk
www.hypro.co.uk

Issue	DRN	Drawn	Date	Checker
02	10958	Clive Morley	03/03/2016	Alan Wilson